



# Revo tables

## T75

This collection of tables was designed by the famous London-based design studio Pearson Lloyd. The collection includes three types of tables in various sizes: conference tables, coffee tables and small auxiliary tables that can be matched with sofas or armchairs.

### Collection features:

---

- tables of different length and height and shape
- designed with comfort in mind
- versatile and lightweight design
- various color palette of table tops and frames

### Technical specifications:

---

#### product version

T75 - table, 750 x 750 mm, height 740 mm, square, flat base

#### frame

Metal, round base, 6 mm thick.

column – fi 60 mm and a thickness of 2 mm

colour of frame:

- MetallicPro
- Black / RAL 9005
- White / RAL 9016
- Light Grey / NCS S 2500 N
- Grey / NCS S 6500 N
- Deep Green / RAL 6004
- Navy Blue / RAL 5003
- Burgundy / RAL 3005
- Salvia/Green / RAL 6021
- Blue / RAL 5014
- Terracota / RAL 3012

#### table top

Tabletop thickness: 13 mm.

Colors of the countertops in natural veneers

NA (ash), NB (beech), NO (oak), NW (walnut)

Colors of countertops in natural colored veneers (ash)

CNA01 (white), CNA02 (black), CNA05 (dark green), CNA06 (navy blue), CNA07 (burgundy)

Colors of HPL table tops

- LW01 (white RAL 9016),
- LW03 (Light Grey NCS S 2500-N),
- LW04 (Grey - RAL 7037),
- LW02 (black RAL 9011),
- LW06 (navy blue RAL 5003),
- LW07 (light burgundy RAL 3004)

There is a possibility of any combination of the top and frame colors.

### glides

felt glides (for hard floors)

### net weight

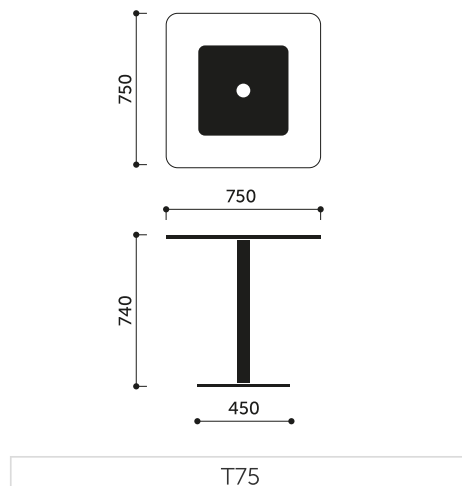
20,0 kg

### gross weight

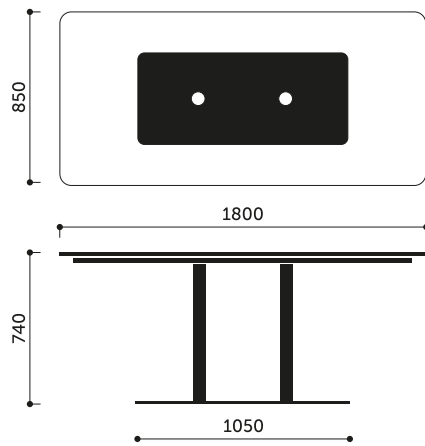
22,9 kg

## Product dimensions:

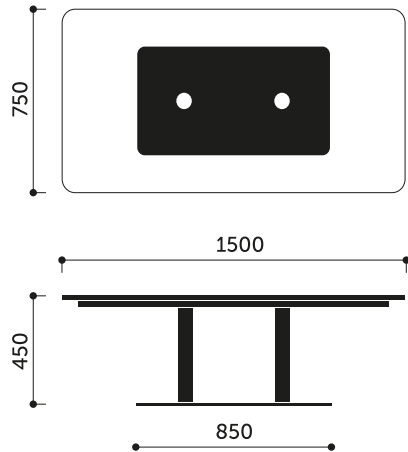
---



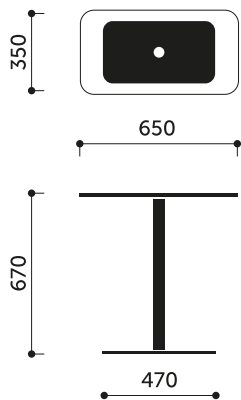
**Dimensions of other models in the collection:**



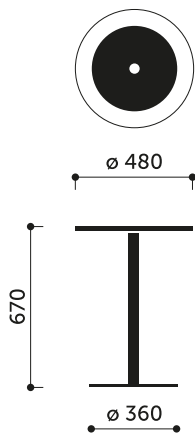
T180



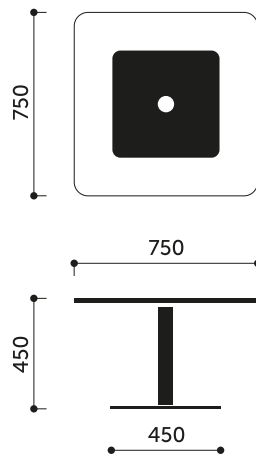
C150



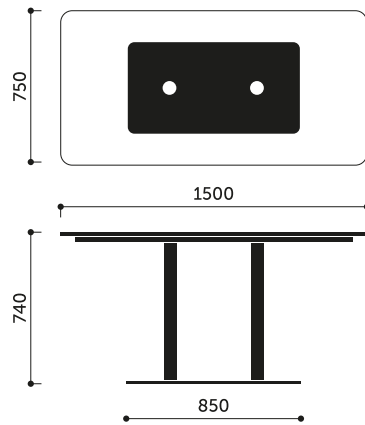
LS65



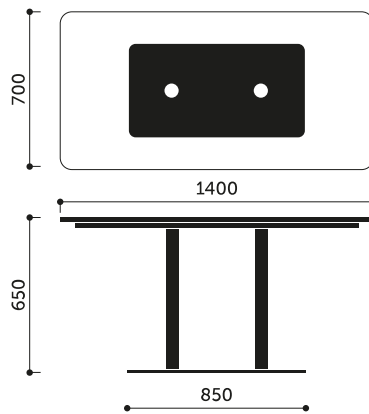
LR48



C75



T150



MT140