



# Ariz

560V

Extremely comfortable and lightweight conference and auditorium chair. Chairs can be joined in rows, which is useful, for example, in lecture halls. Regardless of the configuration, it's a model that will allow you to sit comfortably, provide space flexibility and safe use.

## Collection features:

---

- wide configuration possibilities with several plastic colours and a wide range of upholstery fabrics
- plastic, upholstered, and mesh versions.
- version with comfortable armrest available
- possibility of high stacking (up to 45 pieces on a special trolley for chair transport)
- option to join in rows, mount writing top and newspaper basket
- Möbelfakta certificate - a guarantee of durability, safety, environmental care and social responsibility during the production process

## Technical specifications:

---

### product version 560V

upholstered seat, plastic backrest

### frame

Metal wire with cross section fi 11 mm.

Variants

- MetallicPro
- Chrome
- Black / RAL 9005
- White / RAL 9016
- Light Grey
- Grey
- Deep Green / RAL 6004
- Navy Blue / RAL 5003
- Burgundy / RAL 3005
- Salvia/Green / RAL 6021
- Blue / RAL 5014

- Terracota / RAL 3012

### **table top**

assembled on the left or right hand, available in chairs without armrests only, table top's frame colour is always chrome.

### **armrests**

Metal, integral part of frame, finished with PP pads (color of PP pads corresponds to plastic's color).  
550V 2P – armrest's pads available in color of plastics on the chair.

### **glides**

- standard - teflon glides (universal).
- option - felt glides (for hard floors),

### **seat**

- upholstered
- cut foam - density 35 kg/m<sup>3</sup>
- underside of the seat: black plastic (black and chrome frame) and grey plastic (metallic frame)

### **backrest**

plastic

### **net weight**

- 560V - 7,0 kg
- 560V 2P - 8,5 kg

### **gross weight**

- 560V - 11,0 kg
- 560V 2P - 12,5 kg

### **stacking**

- 5/20\* pcs. - 560V, 560V 2P

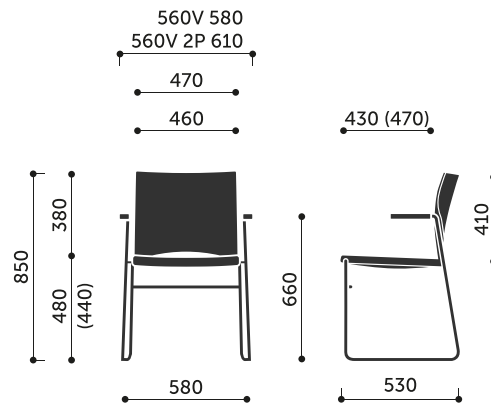
\*Maximum quantity on the trolley for transportation.

### **additional**

- joining in rows
- chairs' trolley (W)
- newspapers bin (K)

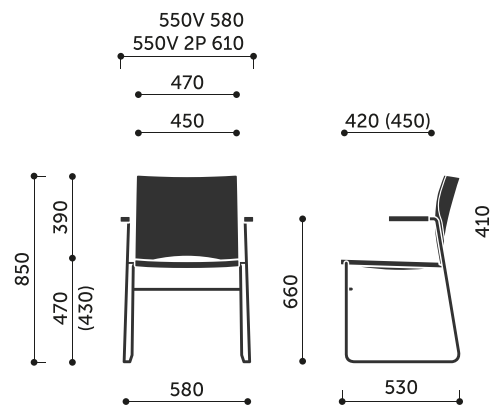
## **Product dimensions:**

---

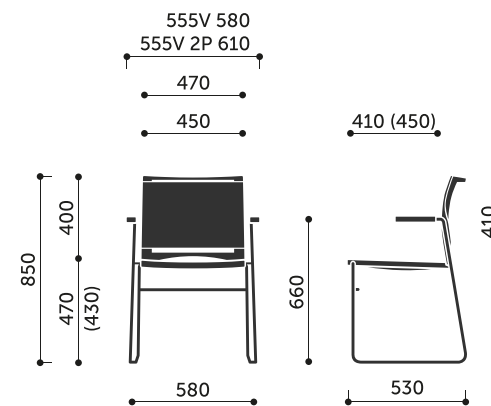


560V / 560V 2P

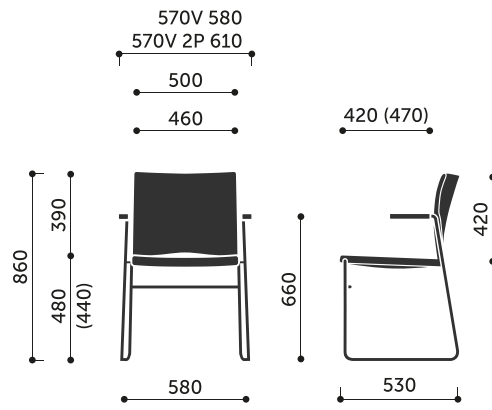
**Wymiary innych modeli z kolekcji:**



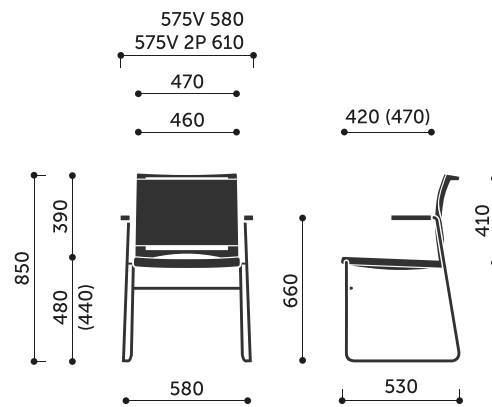
550V / 550V 2P



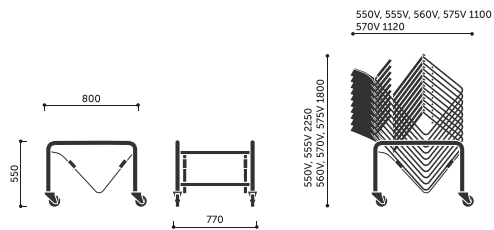
555V / 555V 2P



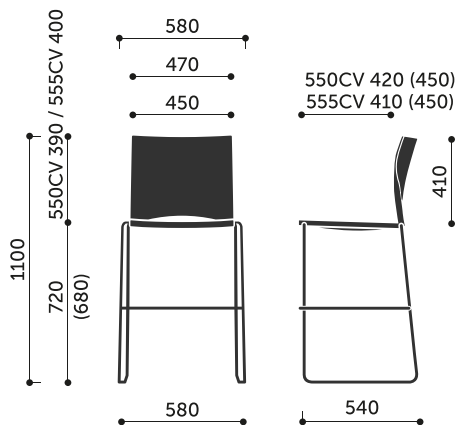
570V / 570V 2P



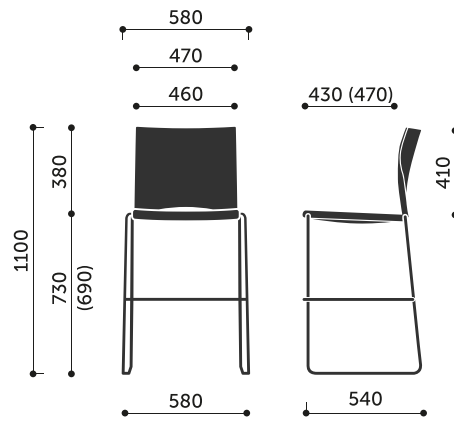
575V / 575V 2P



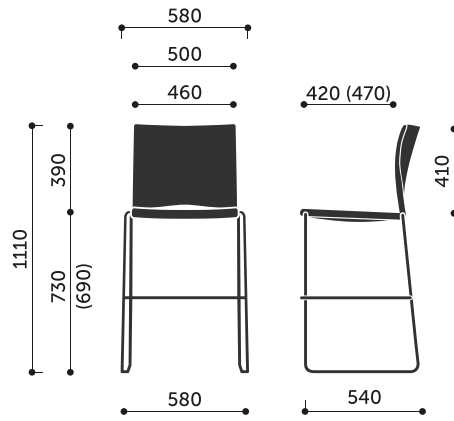
W



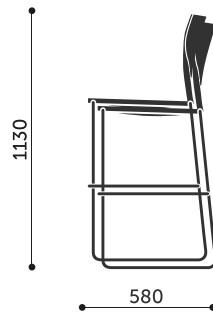
550CV / 555CV



560CV



570CV / 575CV



CV