



QUALITY STANDARD

- LST EN 1335-1:2000
- LST EN 1335-1:2000/AC:2003
- LST EN 1335-2:2009

TECHNICAL INFORMATION

Types

- Task, executive, meeting, visitor & conference chairs.

Seat

- Lower part made of PP (polypropylene);
- Reinforced with metal bars (task and executive chairs);
- Foam made of polyurethane;
- Depth adjustable – 60 mm run range (task and executive chairs);
- Upholstered with fabric or leather.

Back

- Frame made of fiber glass reinforced PA (polyamide);
- Back support made of fiber glass reinforced PA (polyamide), metal insert for mechanism fixing complete with threaded hole pattern;
- Height adjustable – 60 mm run range, 3 locking positions;
- Upholstered with mesh.

Lumbar support

- Depth adjustable – 15 mm run range, 3 locking positions (task and executive chairs);
- Lumbar support pillow made of soft touch PU (polyurethane) (task and executive chairs).

Armrests

- Fixed black plastic armrests (task and executive chairs);
- 3D (three directions) adjustable black plastic armrests. Upper part coated with a PU (polyurethane), soft touch pad. Adjustable in height – 75 mm run range, top moving forward and backward – 55 mm run range, 30° top rotation (task and executive chairs).

Mechanism

- Tilting mechanism lockable in working position. Tension adjustment of back and seat angle according to body weight. Knob for tension adjustment (task and meeting chairs);
- Epron: mechanism with synchronized movement of seat and back, 5 locking positions of the backrest, tension adjustment with handwheel (task and executive chairs);
- Epron Plus: synchronized mechanism, 5 locking positions of the backrest, tension adjustment with quick side tension regulation by lever (task and executive chairs).

Gas lift

- Chromed or black colour;
- 120 mm run range.

Bases

- Five-star polished aluminium or black plastic base with fiberglass. External Ø675 mm (task and meeting chairs);
- Cantilever chromed steel frame base with integrated armrests and plastic glides (visitor chairs).

Castors

- Rubber free wheel castors for hard floor, Ø65 mm;
- PA (polyamide) free wheel castors for soft floor, Ø65 mm.

Headrest

- Frame made of polyurethane;
- Height adjustable – 60 mm run range.

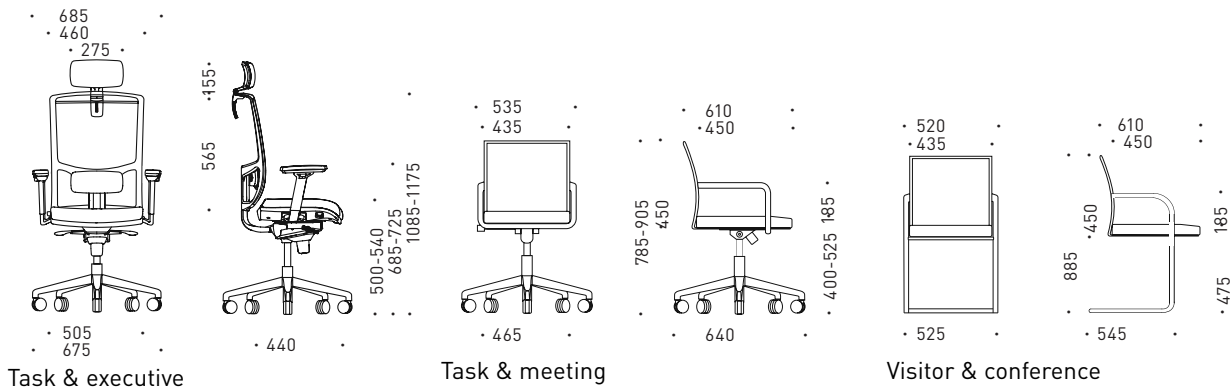
MATERIALS

- Fabric: BONDAL, XTREME PLUS, VELITO, BERTA, ERA, SYNERGY, STEP/STEP Melange;
- Genuine leather: DNN;
- Leather look: RNN;
- Mesh: PM.

GUARANTEE

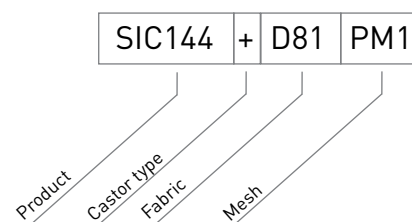
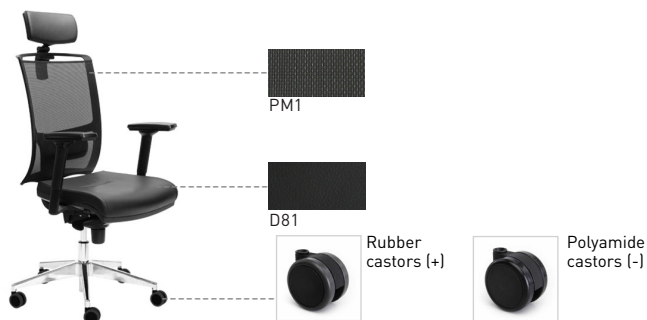
- 5 years

RANGE



ORDERING EXAMPLE

Code structure



Optional



Height adjustable headrest



Fixed black plastic armrests



3D (three directions) adjustable armrests