

# VEGAS lounge seating



---

## TECHNICAL INFORMATION

### Frame and padding

- Chromed bended steel frame (Ø20 mm) fixed with 4 screws.

### Seat and back

- Wooden inner part with glued cold injected foam (HR3030, density: 28-31 kg/m<sup>3</sup>) and synthepon upholstered with fabric or leather.

---

## MATERIALS

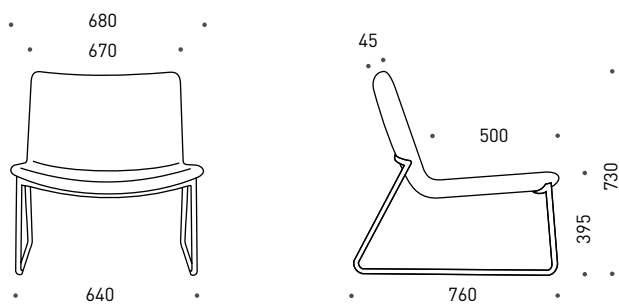
- Fabric: XTREME PLUS, VELITO, ERA, SYNERGY, STEP/STEP Melange;
- Genuine leather: DNN;
- Leather look: RNN.

---

## GUARANTEE

- 3 years

## RANGE



## ORDERING EXAMPLE

### Code structure



SPA015 - GT3

Product

Fabric