

SANDIE

Technical information



Other documents available for this product

User manual for SANDIE executive, task and meeting chairs

User manual for SANDIE lounge chairs

NARBUTAS product care guide

10 year Warranty

See Warranty statement



Technical information

Types

- Executive chair (1)
- Task chair (2)
- Meeting chair (3)
- High back lounge chair (4)
- Low back lounge chair (5)

1



2



3



4



5a



5b



Executive / Task / Meeting chair

Backrest

- Steel frame moulded with polyurethane
- Upholstered with fabric

Seat

- Insert moulded with polyurethane
- Upholstered with fabric

Mechanism

- Weight-sensitive synchro-mechanism
- Three locking positions adjusted by an integrated lever
- Maximum backrest tilt angle: 18°, maximum seat tilt angle: 6°
- Backrest connection part made of steel
- Black outer shell made of plastic

Gas lift

- Chromed or black
- 135 mm run range
- Maximum load of up to 110* kg

*Tested according to standard EN 16139:2013, which assures that chairs can withstand a load of up to 110 kg. Exceeding this limit or careless activity with the product may result in damage or injury.

Base

- 5 star with polished or black painted aluminium
- External Ø735 mm

Castors

- Rubber-free wheel castors for hard floor, Ø65 mm
- Polyamide (PA) free wheel castors for soft floor, Ø65 mm
- Rubber self-braking castors for hard floor, Ø65 mm
- Polyamide (PA) self-braking castors for soft floor, Ø65 mm

High-back lounge chair

Backrest

- Steel frame moulded with polyurethane
- Upholstered with fabric

Seat

- Insert moulded with polyurethane
- Rigid polyurethane bottom cover
- Upholstered with fabric

Mechanism

- Hidden inside the seat
- Weight-sensitive synchro-mechanism
- Three locking positions adjusted by side lever (finished in chrome)
- Maximum backrest tilt angle: 16°
- Backrest connection part made of steel
- Mechanism made of aluminium

Cylinder

- Fixed-height cylinder with dampening effect
- Chromed or black

Base

- 4 star with polished or black painted aluminium
- External Ø880 mm

Low-back lounge chair

Seat and back

- Steel frame moulded with polyurethane
- Upholstered with fabric

Seat cushion

- Made of polyurethane
- Upholstered with fabric
- Attached with velcro

Mechanism (only with 4 star base)

- Fixed mechanism
- Polished or black
- Height adjustment with side lever (finished in chrome)

Gas lift (only with 4 star base)

- Chromed or black
- 100 mm run range
- Maximum load of up to 110* kg

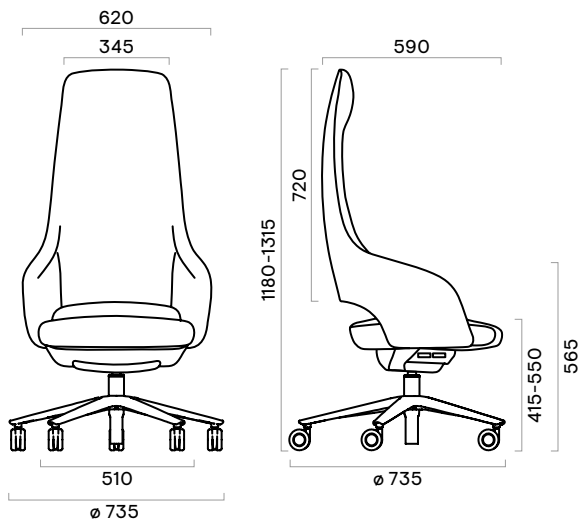
*Tested according to standard EN 16139:2013, which assures that chairs can withstand a load of up to 110 kg. Exceeding this limit or careless activity with the product may result in damage or injury.

Base

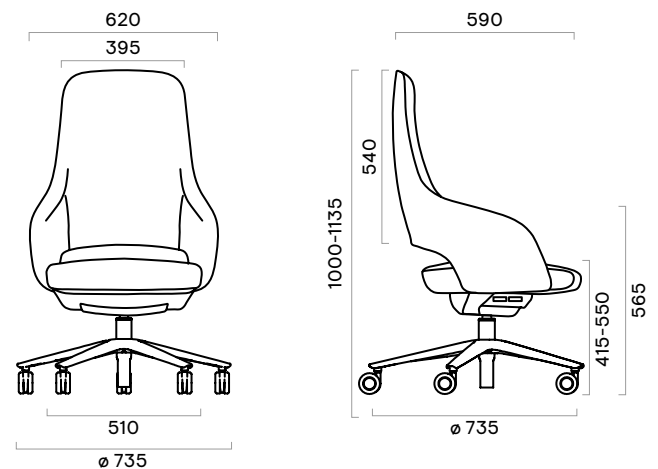
- Powder-coated steel frame, Ø12 mm rod, plastic glides with or without felt for hard and soft floor
- 4 star with polished or black painted aluminium
- External Ø880 mm

Range

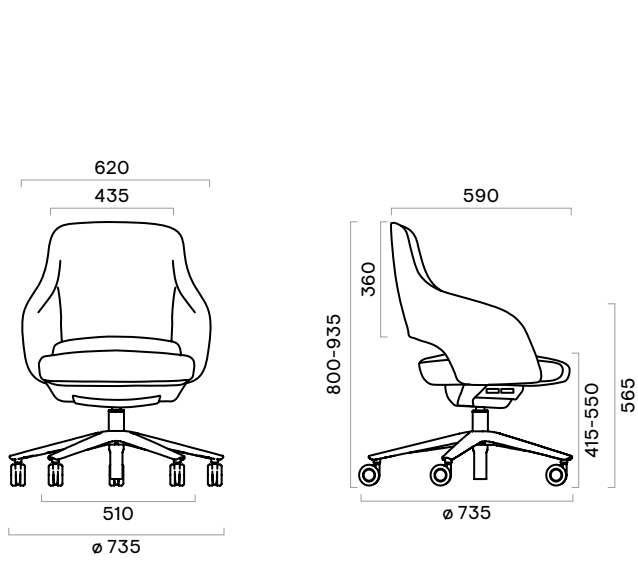
Executive chair



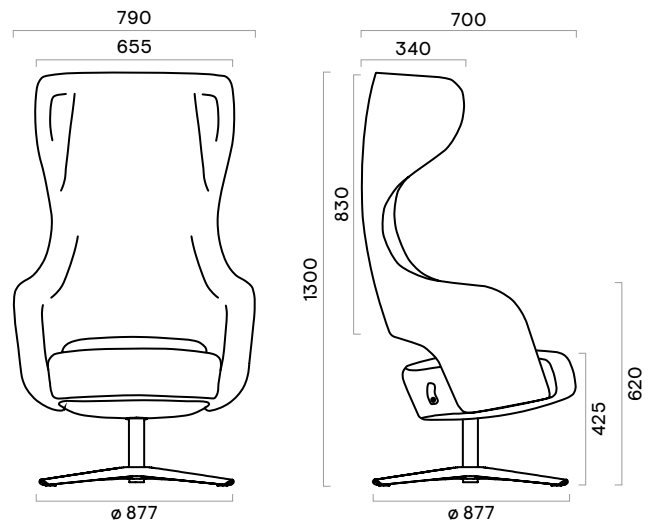
Task chair



Meeting chair

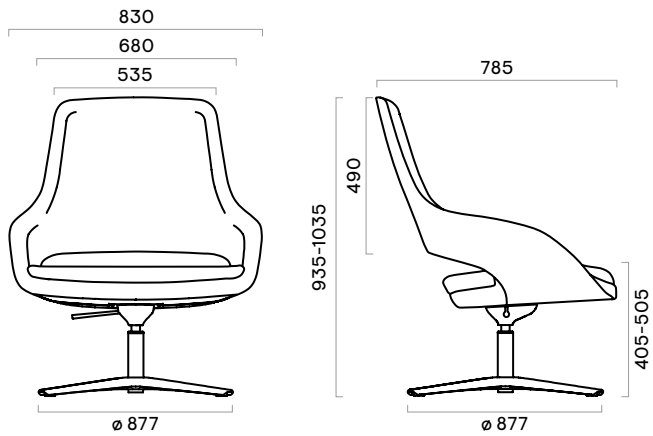


High-back lounge chair



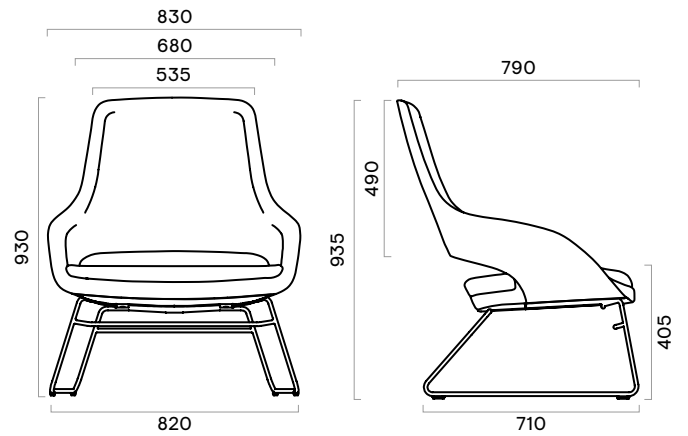
Low-back lounge chair

4 star base



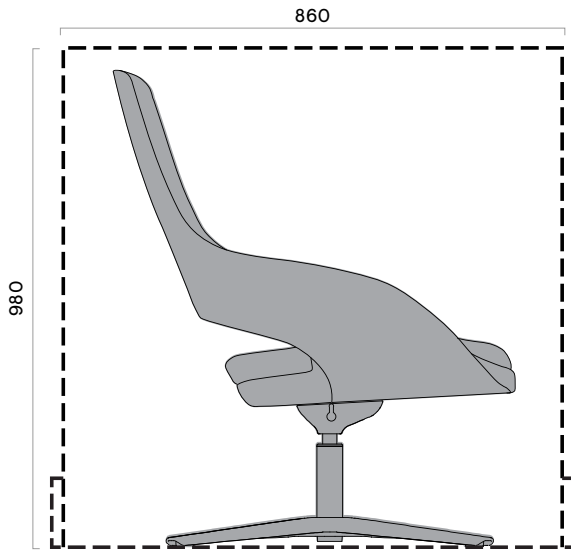
Low-back lounge chair

Wire steel frame with glides

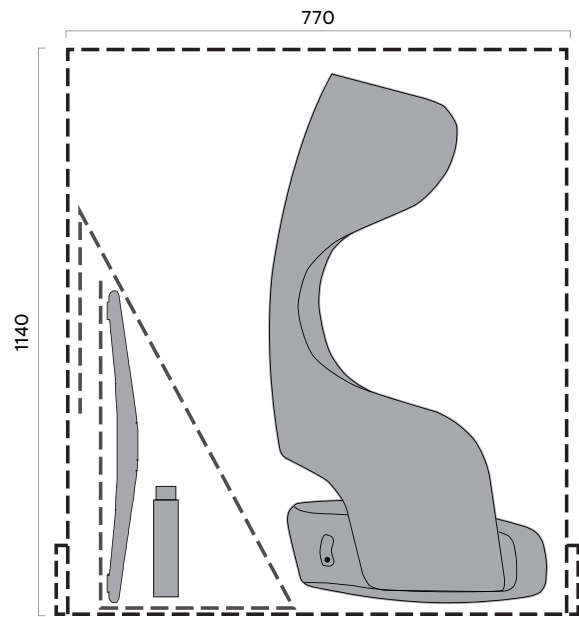


Additional information

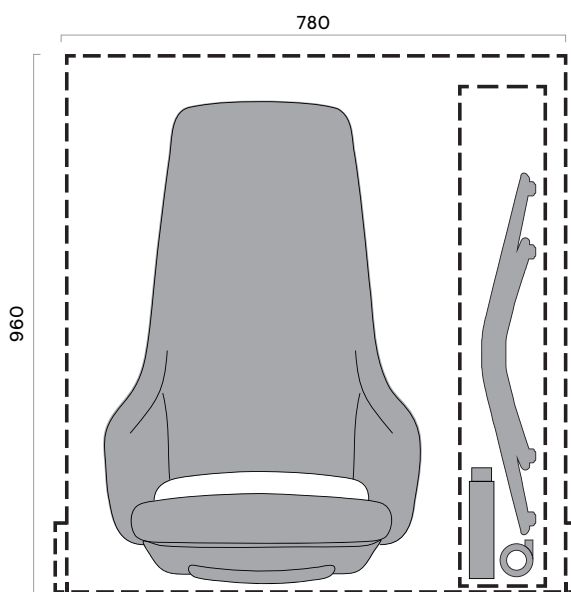
- The low-back lounge chair with a steel frame and 4 star base arrives fully assembled.



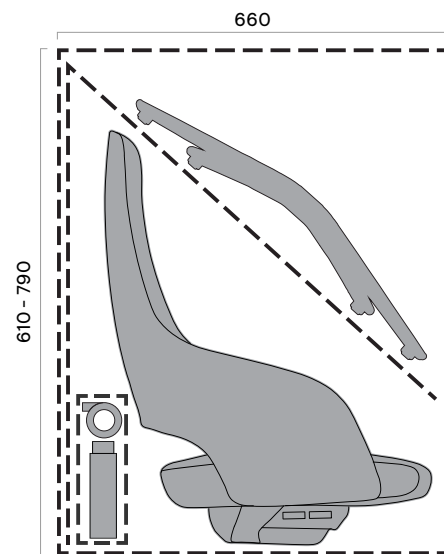
- The high-back lounge chair with a 4 star base arrives partly assembled. The base, castors and gas lift are not assembled.



- The Executive/ Task/ Meeting chairs arrive partly assembled. The base, castors and gas lift are not assembled.



Executive chair



Task chair and Meeting chair