

# MOON chair family



## QUALITY STANDARD

- LST EN 16139-2013
- LST EN 16139-2013/AC:2013

## TECHNICAL INFORMATION

### Types

- Task, visitor & conference and high chairs.

### Seat and back

- Frame made of plywood;
- Foam made of cut foam (density H5050);
- Upholstered with fabric or leather;
- Covered with natural wood veneer or laminated veneer.

### Mechanism

- Tilting mechanism lockable in working position;
- Knob for tension adjustment.

### Gas lift

- Chromed or black colour;
- 130 mm run range;
- Pneumatic regulation of the height.

### Bases

- Five-star polished aluminium or black plastic with fiberglass base;
- External Ø 640 mm;
- Sled chromed or powder-coated steel frame, Ø 11 mm;
- 4-leg chromed steel frame, Ø 18 mm;
- 4-leg chromed steel frame with integrated armrests with plastic finish, Ø 18 mm;
- 4-leg chromed steel frame, Ø 16 mm;

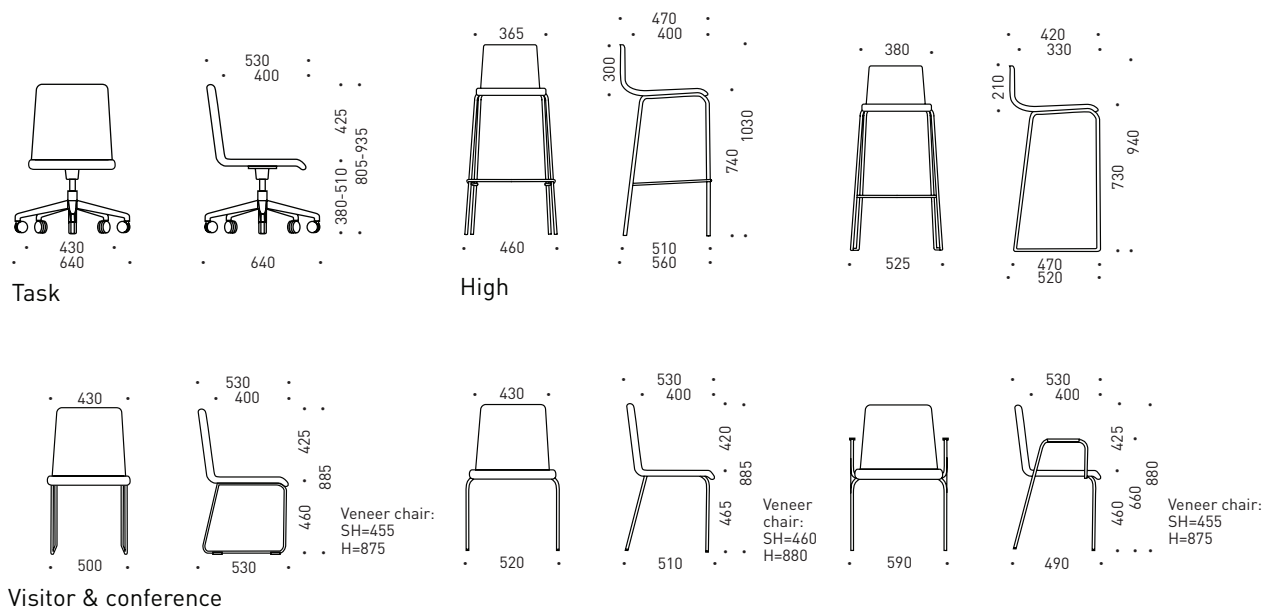
### Castors

- Rubber free wheel castors for hard floor, Ø65 mm;
- PA (polyamide) free wheel castors for soft floor, Ø65 mm.

## GUARANTEE

- 5 years

# RANGE



## Optional (for conference chairs)



Right-hand folding table



Linking gliders