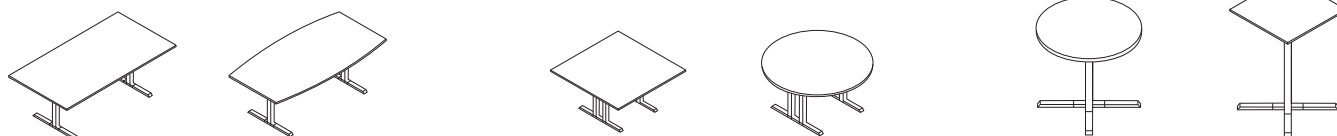
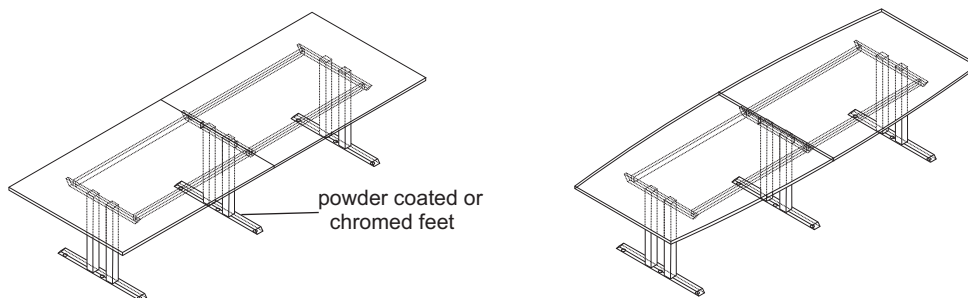


L-LINE CONFERENCE TABLES

H = 740 mm
Top = 25 mm



MATERIALS AND FEATURES

- High quality E1 chipboard, coated with melamine resin on both sides;
- 2 mm plastic edge with a radius of 3 mm;
- Top 25 mm thick ONLY;
- Self-supporting frame with distinctive legs, comprising of various welded steel side parts that are screwed together with steel beams (no. of steel beams depends on table depth);
- T-shaped base; square 65x65 mm cross section;
- depending on table depth, leg may have one or two columns;
- column(s) fixed with with feet;
- powder coated feet as STANDARD; chromed feet as OPTION.

HEIGHT

- Fixed 740 mm height with +10 mm leveling feet.

CABLE MANAGEMENT

Horizontal:

- additional equipment according to MARO offer;
- fold-down cable channel (can be attached later) made of powder coated steel, installed under table top;
- fixed cable channel (can be attached later) made of powder coated steel, installed under table top;
- cable clamps (plastic) installed under table top.

Vertical:

- in-leg cable channel as STANDARD;
- one cable can be led through cuts at the top and bottom of the leg;
- more cables can be led through holes at the top and bottom of the leg;
- additional equipment according to MARO offer:
- standalone cable leg;
- cable outlets and netboxes.

ADDITIONAL INFORMATION

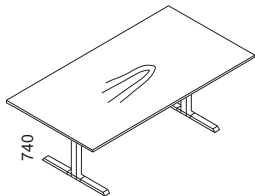
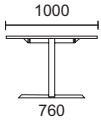
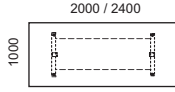
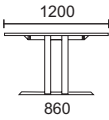
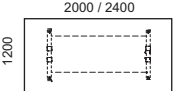
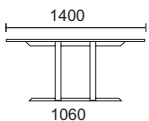
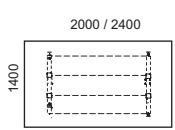
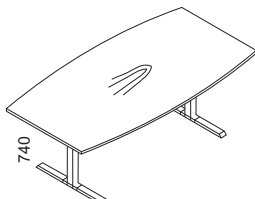
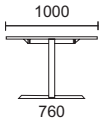
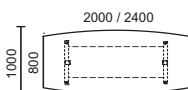
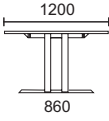
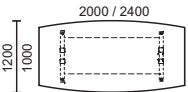
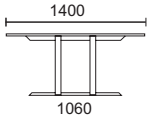
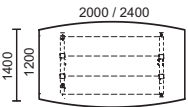
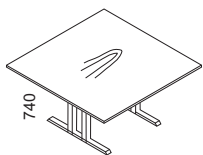
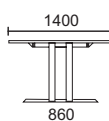
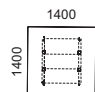
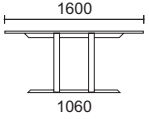
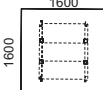
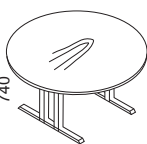
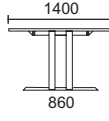
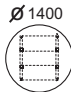
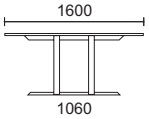
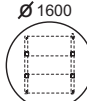
- NON-STANDARD units require written agreements;
- For additional elements such as: add-on tables, panels, cable outlets, PC holders, customer should define a fixing place;
- MARO reserves the right to update or modify furniture construction without prior notice;
- Colors from MARO range.

		COLORS	TOP 25 mm	EDGE COLOR	UNDERFRAME	FEET
MELAMINE	GROUP 1	White	U1	●	—	—
		Light Grey	U2	●	—	—
		Light Maple	D7	●	—	—
		Oak Napolitano	D3	●	—	—
		Beech	D2	●	—	—
		Cherry Havana	D1	●	—	—
		Walnut Maroni	D10	●	—	—
		Graphire	U4	●	—	—
FRAME		Chrome	—	—	—	●
		White	M02	—	●	●
		Aluminium	M01	—	●	●
		Graphite	M05	—	●	●

Full collection of chipboards available at: www.PFLIEDERER.com
Other metal colors available according to RAL palette.

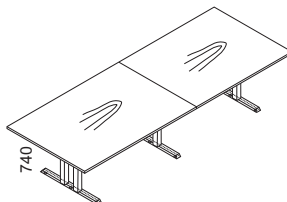
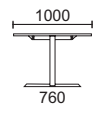
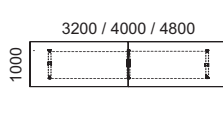
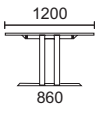
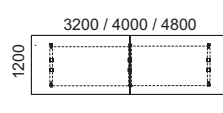
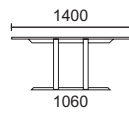
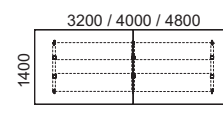
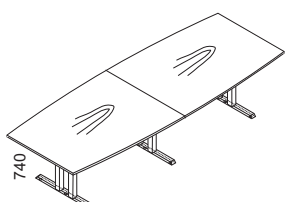
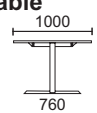
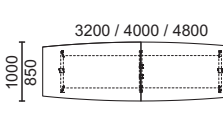
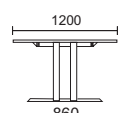
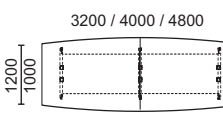
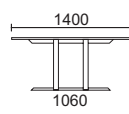
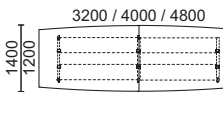
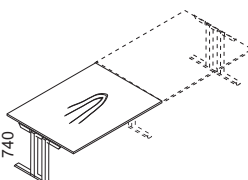
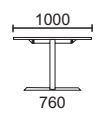
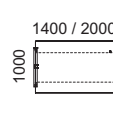
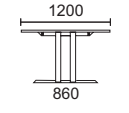
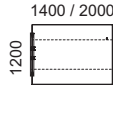
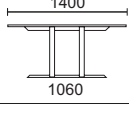
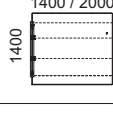
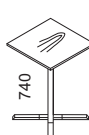
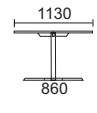
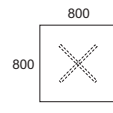
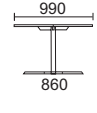
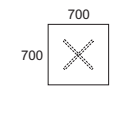
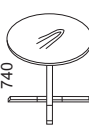
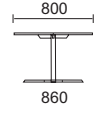
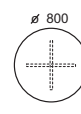
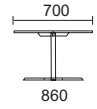
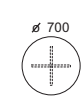
L-LINE

CONFERENCE TABLES

				Code	Net price	Surcharge for chromed feet		
				Powder coated feet				
1. Conference table L-LINE with metal underframe 			2000 x 1000 2400 x 1000	L 203 L 243				
			2000 x 1200 2400 x 1200	L 204 L 244				
			2000 x 1400 2400 x 1400	L 205 L 245				
	2. Shaped conference table L-LINE with metal underframe 			2000 x (1000 x 800) 2400 x (1000 x 800)	L 200 L 240			
				2000 x (1200 x 1000) 2400 x (1200 x 1000)	L 201 L 241			
				2000 x (1400 x 1200) 2400 x (1400 x 1200)	L 202 L 242			
		3. Square conference table L-LINE with metal underframe 			1400 x 1400	L 140		
					1600 x 1600	L 160		
			4. Round conference table L-LINE with metal underframe 			Ø 1400	L 141	
		Ø 1600		L 161				

L-LINE

CONFERENCE TABLES

					Code	Net price	Surcharge for chromed feet
					Powder coated feet		
5. Multi-element conference table L-LINE with metal underframe 			3200 x 1000	L 324			
			4000 x 1000	L 404			
			4800 x 1000	L 484			
			3200 x 1200	L 321			
			4000 x 1200	L 401			
			4800 x 1200	L 481			
			3200 x 1400	L 320			
			4000 x 1400	L 400			
			4800 x 1400	L 480			
6. Multi-element shaped conference table L-LINE with metal underframe 			3200 x (1000 x 800)	L 325			
			4000 x (1000 x 800)	L 405			
			4800 x (1000 x 800)	L 485			
			3200 x (1200 x 1000)	L 323			
			4000 x (1200 x 1000)	L 403			
			4800 x (1200 x 1000)	L 483			
			3200 x (1400 x 1200)	L 322			
			4000 x (1400 x 1200)	L 402			
			4800 x (1400 x 1200)	L 482			
7. Extension module for L-LINE conference tables* 			1400 x 1000	L 926			
			2000 x 1000	L 923			
			1400 x 1200	L 925			
			2000 x 1200	L 921			
			1400 x 1400	L 924			
			2000 x 1400	L 920			
* Extension module can be used with rectangular and shaped tables							
8. L-LINE square table with cross-shaped metal leg 			800 x 800 H = 500 mm	L 112			
			800 x 800 H = 740 mm	L 110			
			700 x 700 H = 1100 mm	L 111			
9. L-LINE round table with cross-shaped metal leg 					∅ 800 H = 500 mm	L 101	
	∅ 800 H = 740 mm	L 102					
			∅ 700 H = 1100 mm	L 103			

NOTES