

Valde technical specification



MDD has a leading position among manufacturers of office furniture with many awards that prove quality and continuously increase demand for its products.

The realities of today's market require constant quality improvement at all levels of modern organization. This applies in particular to customer service, marketing, quality of products and also to quality of processes within the company.

Partnership relations among employees and with business partners form a base of economic growth and success of the company.

Constant investments in innovative machinery park, optimization of management systems and an expansion of production halls allow to minimize the lead times for the product of the highest quality.

More than twenty years of experience in office furniture industry come with reference from a long list of companies and institutions to show their appreciation for an efficient and comprehensive service.

MDD is highly aware of the environment.

Being located in the forest region with lake by its side, MDD takes the nature seriously and invests constantly in a modern and energy-efficient solutions to preserve the local life. Company puts emphasis on waste segregation and recycling. MDD has been awarded for the exceptional care and involvement in waste disposal. All materials used are environmentally friendly and enjoy a high 95 % rate of being recycled.



General informations:

Warranty:

MDD products - **5 years.**

Electrical components and fabric - **2 years.**

Certificate - MFC:



Boards density:

12 mm - 690 - 750 kg/m³

18 mm - 650 - 690 kg/m³

28 mm - 610 - 630 kg/m³

36 mm - 610 - 630 kg/m³

Assembly:

product delivered in separate elements

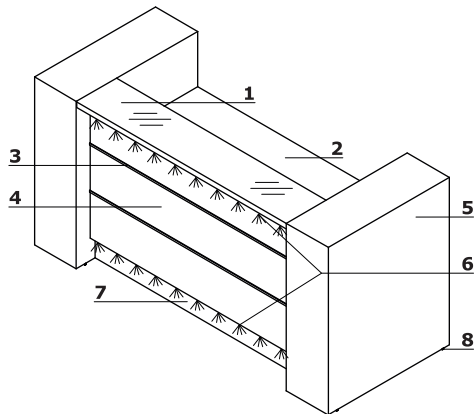
Packing:

cartboard, bubble wrap,

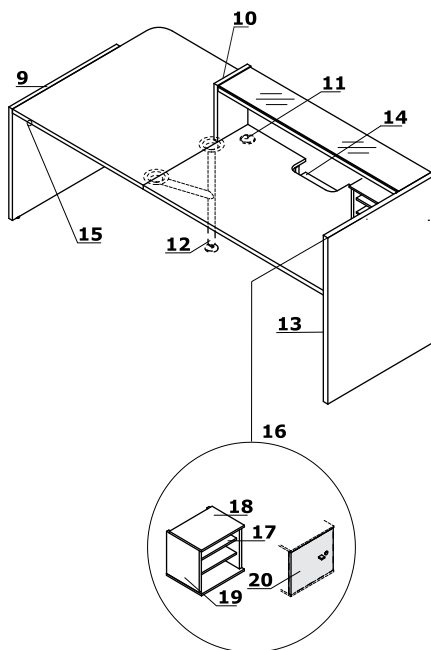
perforated plastic mesh wrap

Valde	Date of preparation 25.02.2020	The data contained in this document is valid in the day of its preparation. Change of the product, as long as it does not affect the basic features of it, does not require consistent updates of the document.	page 2/11 general informations
--------------	-----------------------------------	---	--

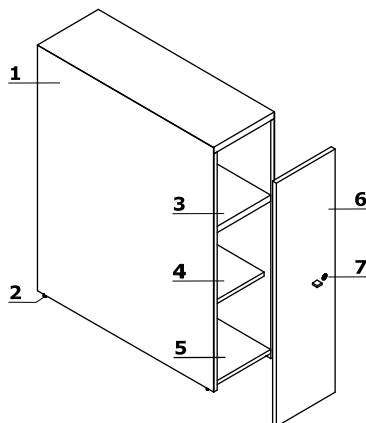
Technical specification



1. **Top** - MFC 36 mm + Glass LACOBEL 4 mm (40 mm)
2. **Worktop** - MFC 28 mm, ABS edge
3. **Decorative stripe** - PVC, colour: M009 - aluminum semi-matt
4. **Front** - HPL 3 mm - high gloss
5. **Storage as ending element** - HPL high gloss 18 mm, ABS edge
6. **LED illumination** - at the full length of the reception desk, cold white color (verging on the blue shade)
7. **Kick plate** - HPL - brushed aluminum
8. **Leveling** - 5 mm range
9. **Low side panel** - all HPL - gloss - 38 mm
10. **Side panel linking low and high fronts** - HPL high gloss - 38 mm
11. **Cable grommets** - Ø80 mm
12. **Supporting leg NE41** - made of metal, required for tops connecting, colours: M015 - white semi-mat, M009 - Aluminum semi-matt, colour adjusted to the colour of worktop
13. **High side panel** - all HPL - gloss - 38 mm
14. **OPTION WITH EXTRA CHARGE** - working top with lowered monitor shelf - MFC 28 mm, ABS edge
15. **Light switch**
16. **LMS05** - reception desk storage; order separately
17. **Shelf** - MFC 18 mm, protection against accidental falling-out, ABS edge
18. **Top** - MFC 12 mm, ABS edge
19. **Body** - MFC 18 mm, ABS edge
20. **Optional front with lock** - universal (left, right) - MFC 18 mm, ABS edge; - ordered as separate element



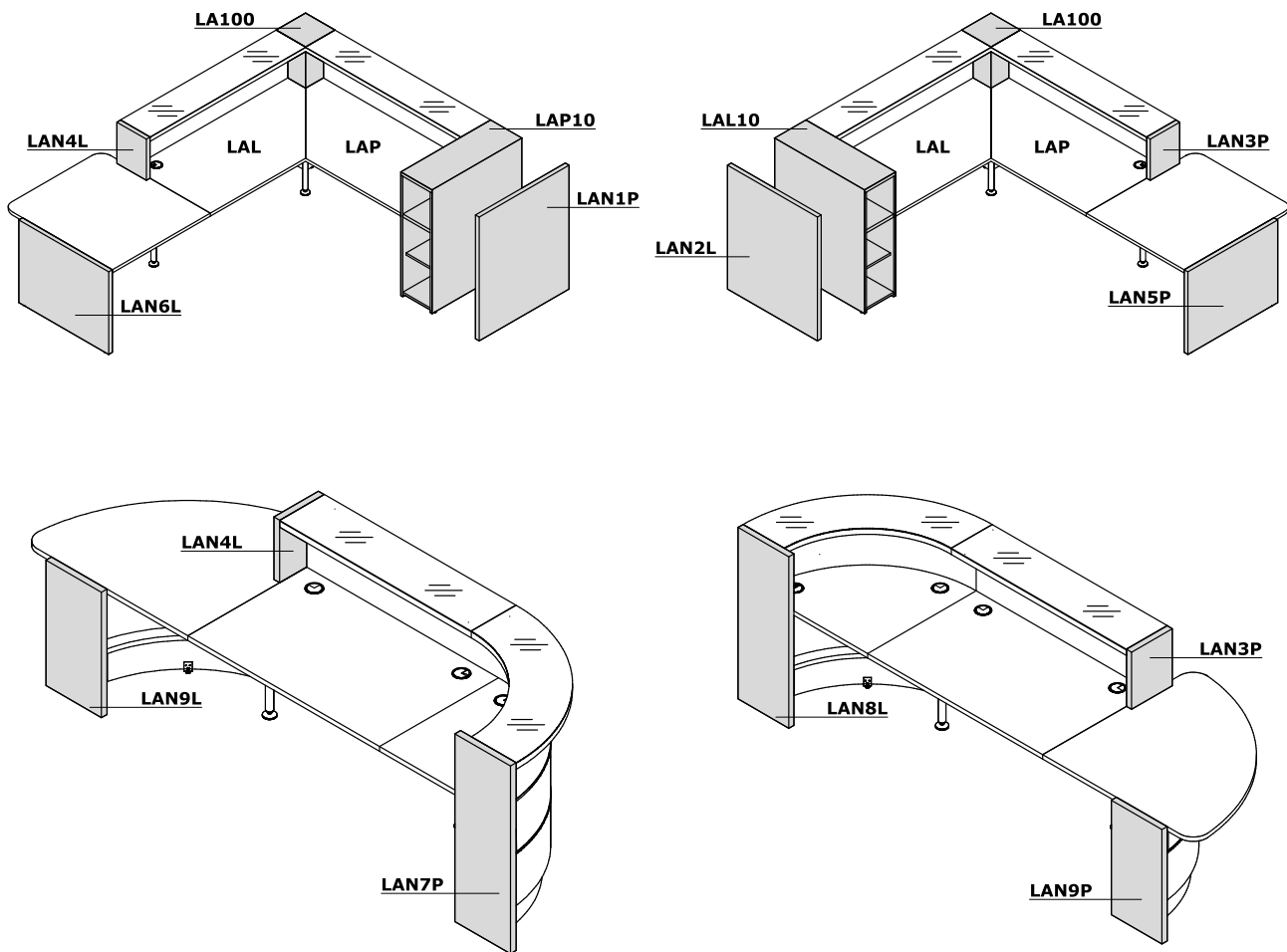
Ending storage



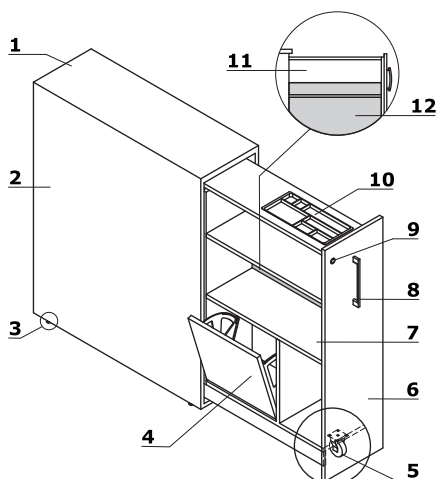
1. **Storage as ending element** - HPL high gloss 18 mm, ABS edge
2. **Leveling** - 5 mm range
3. **Shelf** - MFC 28 mm, ABS edge
4. **Shelf with possibility of height regulation** - MFC 18 mm, ABS edge
5. **Base** - MFC 18 mm, ABS edge
6. **Optional Front LAD10** - MFC 18 mm, universal (left/right), to order as an additional element
7. **Patent lock** - foldable key

Valde	Date of preparation 25.02.2020	The data contained in this document is valid in the day of its preparation. Change of the product, as long as it does not affect the basic features of it, does not require consistent updates of the document.	page 3/11 technical specification
-------	-----------------------------------	---	--------------------------------------

Ending elements application



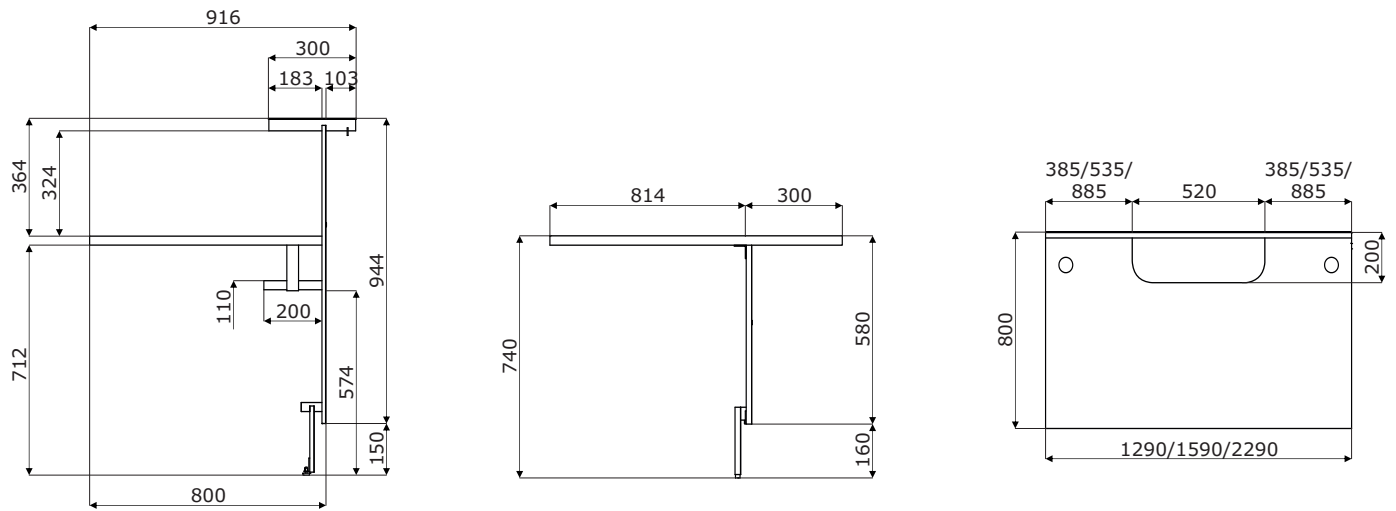
Cargo pedestal



1. Top - MFC 28 mm, coated with HPL high gloss
2. Body - MFC 18 mm, coated with HPL high gloss
3. Leveling - 5 mm range
4. Cabinet with flip door - 2 spaces (e.g. for binder, shoes)
5. Castors - Ø75 mm
6. Front - MFC 18 mm, ABS edge
7. Shelf - MFC 18 mm, protection against accidental falling-out, ABS edge
8. Aluminum handle
9. Patent lock
10. Pencil tray - plastic, colour: black
11. No back
12. Full back rear - MFC 18 mm

Valde	Date of preparation 25.02.2020	The data contained in this document is valid in the day of its preparation. Change of the product, as long as it does not affect the basic features of it, does not require consistent updates of the document.	page 4/11 technical specification
-------	-----------------------------------	---	--------------------------------------

Dimensions



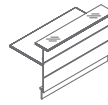
Straight elements *



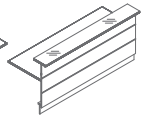
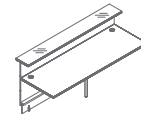
LA09L
844 / 917 / 1105
36 kg



LA13L
1290 / 917 / 1105
53.6 kg



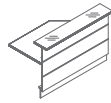
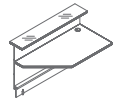
LA16L
1590 / 917 / 1105
67 kg



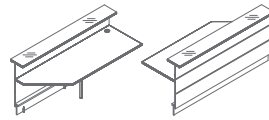
LA23L
2290 / 917 / 1105
93.5 kg



LAP13L
1290 / 917 / 1105
52.6 kg



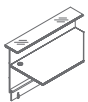
LAP16L
1590 / 917 / 1105
66.5 kg



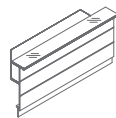
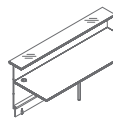
LAP23L
2290 / 917 / 1105
93 kg



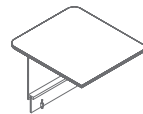
LAL13L
1290 / 917 / 1105
52.6 kg



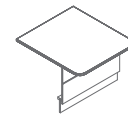
LAL16L
1590 / 917 / 1105
66.5 kg



LAL23L
2290 / 917 / 1105
93 kg



LAU11L
1000 / 1114 / 740
32.5 kg

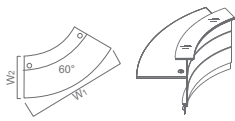


LAU18L
800 / 1114 / 740
28.5 kg

* dimensions expressed in millimeters: width x depth x height

Valde	Date of preparation 25.02.2020	The data contained in this document is valid in the day of its preparation. Change of the product, as long as it does not affect the basic features of it, does not require consistent updates of the document.	page 6/11
			products

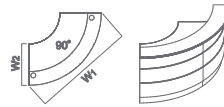
Radial elements *



LAV62L
2216 / 917 / 1105
75.5 kg



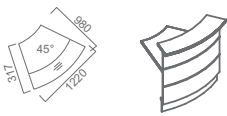
LAV64L
1600 / 917 / 1105
64.5 kg



LAV90L
2264 / 917 / 1105
105.5 kg



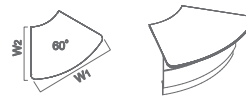
LAV70L
1297 / 917 / 1105
43.5 kg



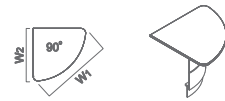
LAV63L
1225 / 917 / 1105
53.5 kg



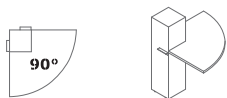
LAV65L
1311 / 1165 / 740
35.5 kg



LAV66L
1720 / 1109 / 740
54.5 kg

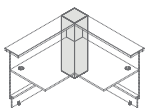


LAV68L
1485 / 1109 / 740
35.5 kg

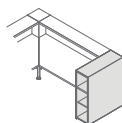


LA90L
1296 / 616 / 1105
38.2 kg

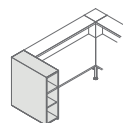
Composition elements *



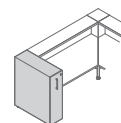
LA100
300 / 300 / 1105
22.2 kg



LAP10
318 / 917 / 1105
50 kg



LAL10
318 / 917 / 1105
50 kg

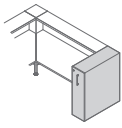


LAC10L
318 / 917 / 1105
70 kg

* dimensions expressed in millimeters: width x depth x height

Valde	Date of preparation 25.02.2020	The data contained in this document is valid in the day of its preparation. Change of the product, as long as it does not affect the basic features of it, does not require consistent updates of the document.	page 7/11
			products

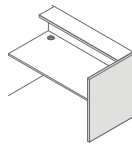
Composition elements *



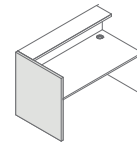
LAC10P
318 / 917 / 1105
70 kg



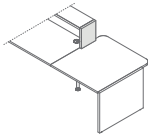
LAD10
306 / 20 / 1094
4.5 kg



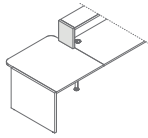
LAN1P
38 / 917 / 1105
26 kg



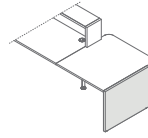
LAN2L
38 / 917 / 1108
26 kg



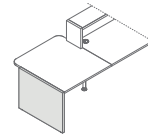
LAN3P
38 / 300 / 364
2.8 kg



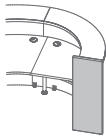
LAN4L
38 / 300 / 364
2.8 kg



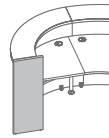
LAN5P
38 / 917 / 740
19 kg



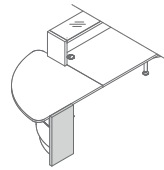
LAN6L
38 / 917 / 740
19 kg



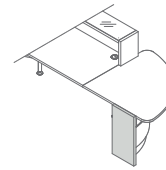
LAN7P
38 / 374 / 1105
11 kg



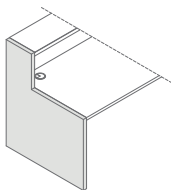
LAN8L
38 / 374 / 1105
11 kg



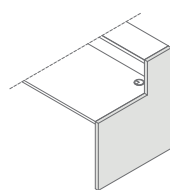
LAN9L
38 / 374 / 740
7.5 kg



LAN9P
38 / 374 / 740
7.5 kg



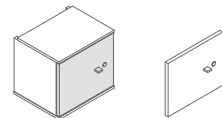
LAN10L
38 / 917 / 1105
26 kg



LAN10P
38 / 917 / 1105
26 kg



LMS05
345 / 283 / 314
5 kg



LMS06
339 / 18 / 286
2 kg

* dimensions expressed in millimeters: width x depth x height

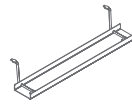
Composition elements *



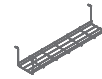
NL41
585 / 142 / 712
2 kg



NE41L
40 / 40 / 712
1.5 kg



E64L
460 / 89 / 120
0.5 kg

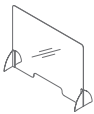


S69L
580 / 162 / 123
1 kg



S81L
140 / 70 / 750
1.1 kg

Sneeze guard *



NPX1
1000 / 250 / 750
3 kg

* dimensions expressed in millimeters: width x depth x height

Valde	Date of preparation 25.02.2020	The data contained in this document is valid in the day of its preparation. Change of the product, as long as it does not affect the basic features of it, does not require consistent updates of the document.	page 9/11
			products

Upper top



117 Glass white
RAL9003



Top



67 White pastel



124 Glass silver
RAL9007



26 Aluminum
satinato

Body



67 White pastel

Front



31 Canadian oak



34 Chestnut



73 White high
gloss



74 Orange high
gloss



80 Green high
gloss



81 Burgundy
high gloss



102 Yellow high
gloss



108 Blue high
gloss



127 Dark pink
high gloss



148 Grey high
gloss

Ending elements



73 White high
gloss



148 Grey high
gloss

Supporting legs



M009 Aluminum
semi-matt



M015 White
semi-matt

Copplementary elements LAD10, LMS05, LMS06



26 Aluminum
satinato



67 White pastel

Copplementary elements S69L, E64L

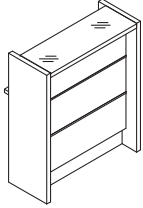
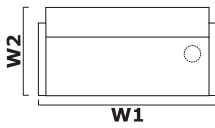


M009 Aluminum
semi-matt RAL9006

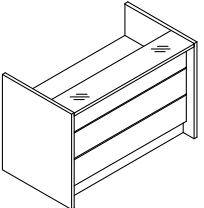
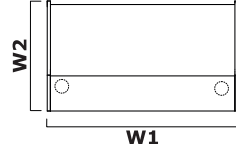
Copplementary elements S81L



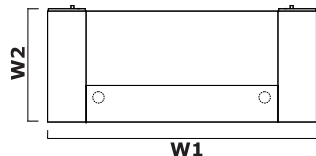
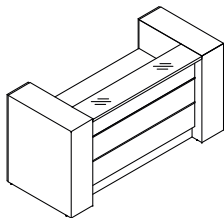
Grey

 		Dimensions					kg m3 pcs	Composition elements
		W1	W2	D1	D2	H		
LAV96L		920	454			1105	50.5 kg 0.178 m3 5 pcs	LAN8L+LA09L+LAN7P

Extra charge						

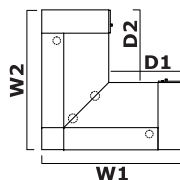
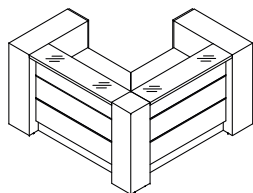
 		Dimensions					kg m3 pcs	Composition elements
		W1	W2	D1	D2	H		
LAV95L		920	917			1105	88 kg 0.252 m3 6 pcs	LAN2L+LA09L+LAN1P
LAV75L		1366	917			1105	105.6 kg 0.326 m3 6 pcs	LAN2L+LA13L+LAN1P
LAV76L		1666	917			1105	119 kg 0.373 m3 6 pcs	LAN2L+LA16L+LAN1P
LAV77L		2366	917			1105	145.5 kg 0.497 m3 7 pcs	LAN2L+LA23L+LAN1P

Extra charge						
Monitor shelf x1						
	X					
	X					
X						



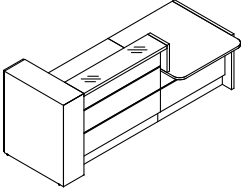
Symbol		Dimensions					kg m3 pcs	Composition elements
		W1	W2	D1	D2	H		
LAV01L		1926	937			1105	162.6 kg 0.973 m3 8 pcs	LAD10+LAL10+LA13L+LAP10 +LAD10
LAV02L		2226	937			1105	176 kg 1.02 m3 8 pcs	LAD10+LAL10+LA16L+LAP10 +LAD10
LAV03L		2926	937			1105	202.5 kg 1.145 m3 9 pcs	LAD10+LAL10+LA23L+LAP10 +LAD10

Extra charge						
Monitor shelf x1						
X						
X						
X						

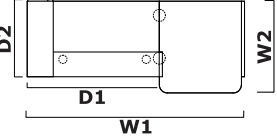


Symbol		Dimensions					kg m3 pcs	Composition elements
		W1	W2	D1	D2	H		
LAV10L		1908	1908	991	991	1105	238.4 kg 1.374 m3 14 pcs	LAD10+LAL10+LAL13L+LA100+LAP13L+LAP10+LAD10+NL41
LAV11L		1908	2208	991	1291	1105	252.3 kg 1.421 m3 14 pcs	LAD10+LAL10+LAL13L+LA100+LAP16L+LAP10+LAD10+NL41
LAV12L		1908	2908	991	1991	1105	278.8 kg 1.546 m3 15 pcs	LAD10+LAL10+LAL13L+LA100+LAP23L+LAP10+LAD10+NL41
LAV13L		2208	1908	1291	991	1105	252.3 kg 1.421 m3 14 pcs	LAD10+LAL10+LAL16L+LA100+LAP13L+LAP10+LAD10+NL41
LAV14L		2208	2208	1291	1291	1105	266.2 kg 1.468 m3 14 pcs	LAD10+LAL10+LAL16L+LA100+LAP16L+LAP10+LAD10+NL41
LAV15L		2208	2908	1291	1991	1105	292.7 kg 1.593 m3 15 pcs	LAD10+LAL10+LAL16L+LA100+LAP23L+LAP10+LAD10+NL41

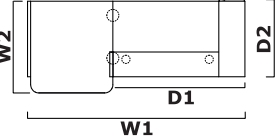
Extra charge						
Monitor shelf x1	Monitor shelf x 2					
X	X					
X	X					
X	X					
X	X					
X	X					



A

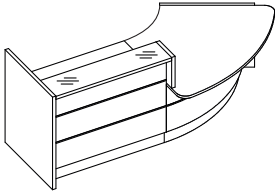


B

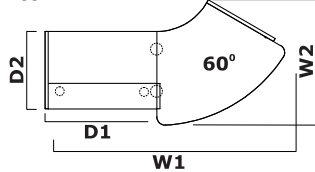


Symbol		Dimensions	kg m3 pcs	Composition elements				
A	B				W1	W2	D1	D2
LAV41L	LAV42L	2646	1134	1608	937	1105	167.4 kg 0.833 m3 13 pcs	A - LAN6L+LAU11L+LAN4L+LA13L+LAP10+LAD10+NL41 B - LAD10+LAL10+LA13L+LAN3P +LAU11L+LAN5P+NL41
LAV43L	LAV44L	2946	1134	1908	937	1105	180.8 kg 0.88 m3 13 pcs	A - LAN6L+LAU11L+LAN4L+LA16L+LAP10+LAD10+NL41 B - LAD10+LAL10+LA16L+LAN3P +LAU11L+LAN5P+NL41
LAV45L	LAV46L	3646	1134	2608	937	1105	207.3 kg 1.004 m3 14 pcs	A - LAN6L+LAU11L+LAN4L+LA23L+LAP10+LAD10+NL41 B - LAD10+LAL10+LA23L+LAN3P +LAU11L+LAN5P+NL41
LAV411L	LAV421L	2446	1134	1608	937	1105	163.4 kg 0.809 m3 13 pcs	A - LAN6L+LAU18L+LAN4L+LA13L +LAP10+LAD10+NL41 B - LAD10+LAL10+LA13L+LAN3P +LAU18L+LAN5P+NL41
LAV431L	LAV441L	2746	1134	1908	937	1105	176.8 kg 0.856 m3 13 pcs	A - LAN6L+LAU18L+LAN4L+LA16L +LAP10+LAD10+NL41 B - LAD10+LAL10+LA16L+LAN3P +LAU18L+LAN5P+NL41
LAV451L	LAV461L	3446	1134	2608	937	1105	203.3 kg 0.981 m3 14 pcs	A - LAN6L+LAU18L+LAN4L+LA23L +LAP10+LAD10+NL41 B - LAD10+LAL10+LA23L+LAN3P +LAU18L+LAN5P+NL41

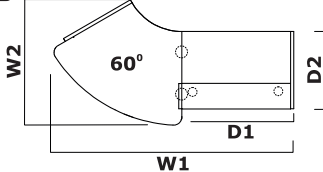
Extra charge						
Monitor shelf x1						
X						
X						
X						
X						
X						
X						



A

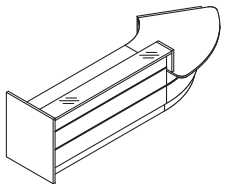


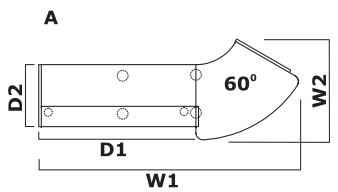
B



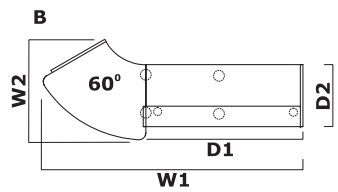
Symbol		Dimensions	kg m3 pcs	Composition elements				
A	B				W1	W2	D1	D2
LAV88L	LAV89L	2845	1486	1328	917	1105	160.9 kg 0.832 m3 12 pcs	A - LAN6L+LAV66L+LAN4L+LA13L+LAN1P+NL41 B - LAN2L+LA13L+LAN3P+LAV66L+LAN5P+NL41
LAV91L	LAV92L	3145	1486	1628	917	1105	174.3 kg 0.879 m3 12 pcs	A - LAN6L+LAV66L+LAN4L+LA16L+LAN1P+NL41 B - LAN2L+LA16L+LAN3P+LAV66L+LAN5P+NL41

Extra charge						
Monitor shelf x1						
X						
X						





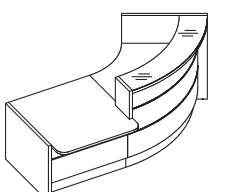
A

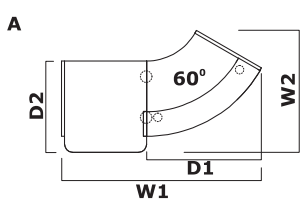


B

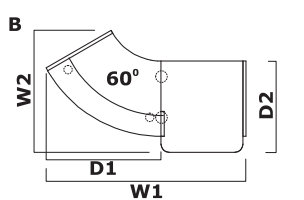
Symbol		Dimensions					kg m3 pcs	Composition elements
A	B	W1	W2	D1	D2	H		
LAV93L	LAV94L	3845	1486	2318	917	1105	200.8 kg 1.003 m3 13 pcs	A - LAN6L+LAV66L+LAN4L+LA23L+LAN1P+NL41 B - LAN2L+LA23L+LAN3P+LAV66L+LAN5P+NL41

Extra charge						
Monitor shelf x1						
X						





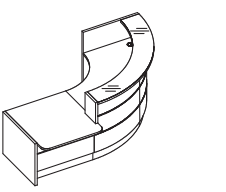
A

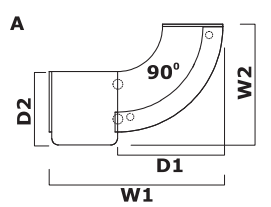


B

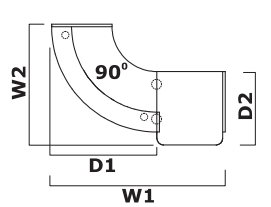
Symbol		Dimensions					kg m3 pcs	Composition elements
A	B	W1	W2	D1	D2	H		
LAV84L	LAV85L	2443	1489	1404	1114	1105	149.8 kg 0.957 m3 12 pcs	A - LAN2L+LAV64L+LAN3P+LAU11L +LAN5P+NL41 B - LAN6L+LAU11L+LAN4L+LAV64L +LAN1P+NL41
LAV841L	LAV851L	2243	1489	1404	1114	1105	145.8 kg 0.934 m3 12 pcs	A - LAN2L+LAV64L+LAN3P+LAU18L+LAN5P+NL41 B - LAN6L+LAU18L+LAN4L+LAV64L+LAN1P+NL41

Extra charge						
Monitor shelf x1						
X						
X						





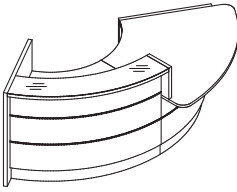
A



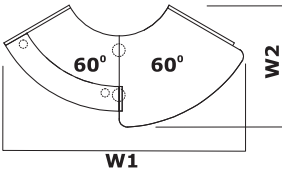
B

Symbol		Dimensions					kg m3 pcs	Composition elements
A	B	W1	W2	D1	D2	H		
LAV86L	LAV87L	2638	1835	1600	937	1105	190.8 kg 1.328 m3 13 pcs	A - LAN2L+LAV90L+LAN3P+LAU11L +LAN5P+NL41 B - LAN6L+LAU11L+LAN4L+LAV90L +LAN1P+NL41
LAV861L	LAV871L	2438	1835	1600	937	1105	186.8 kg 1.305 m3 13 pcs	A - LAN2L+LAV90L+LAN3P+LAU18L+LAN5P+NL41 B - LAN6L+LAU18L+LAN4L+LAV90L+LAN1P+NL41

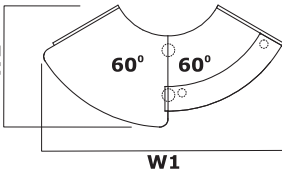
Extra charge						
Monitor shelf x1						
X						
X						



A

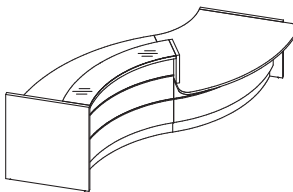


B

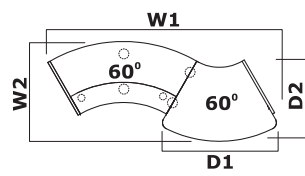


Symbol		Dimensions	kg m3 pcs	Composition elements
A	B			
LAV30L	LAV31L	W1: 2922, W2: 1486, H: 1105	171.8 kg 1.28 m3 12 pcs	A - LAN6L+LAV66L+LAN4L+LAV64L +LAN1P+NL41 B - LAN2L+LAV64L+LAN3P+LAV66L +LAN5P+NL41

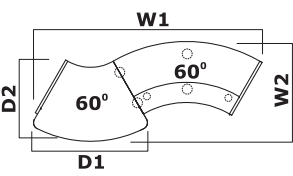
Extra charge						
Monitor shelf x1						
X						



A

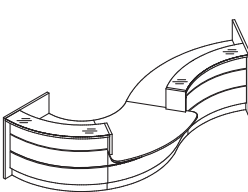


B

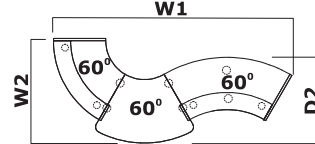


Symbol		Dimensions	kg m3 pcs	Composition elements
A	B			
LAV32L	LAV33L	W1: 3452, W2: 1502, D1: 1720, D2: 1225, H: 1105	182.8 kg 1.366 m3 13 pcs	A - LAN6L+LAV66L+LAN4L+LAV62L +LAN1P+NL41 B - LAN2L+LAV62L+LAN3P+LAV66L +LAN5P+NL41

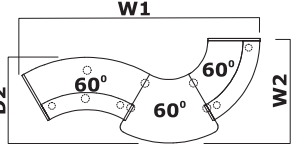
Extra charge						
Monitor shelf x1						
X						



A

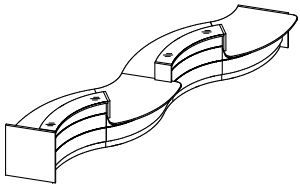
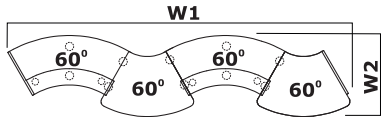
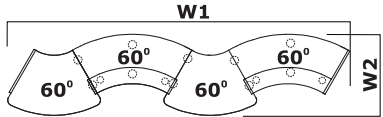


B

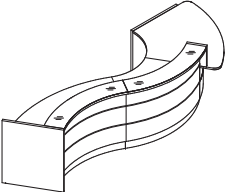
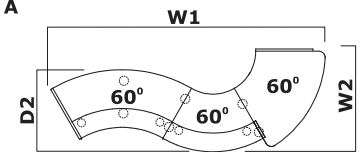
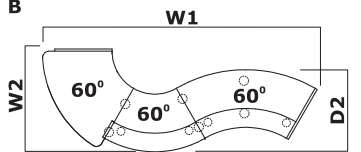


Symbol		Dimensions	kg m3 pcs	Composition elements
A	B			
LAV34L	LAV35L	W1: 4195, W2: 1835, D1: 1503, H: 1105	262.1 kg 2.129 m3 20 pcs	A - LAN2L+LAV62L+LAN3P+LAV66L +LAN4L+LAV64L+LAN1P+2xNL41 B - LAN2L+LAV64L+LAN3P+LAV66L +LAN4L+LAV62L+LAN1P+2xNL41

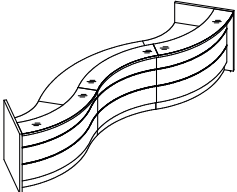
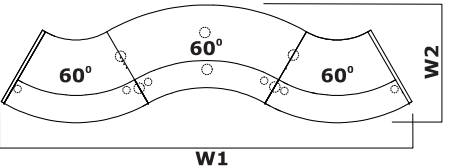
Extra charge						
Monitor shelf x1	Monitor shelf x 2					
X	X					

											
Symbol		Dimensions					kg m3 pcs	Composition elements			
A	B	W1	W2	D1	D2	H					
LAV36L	LAV37L	6352	1503			1105	325.4 kg 2.715 m3 26 pcs	A - LAN6L+2xLAV66L+2xLAN4L+2xLAV62L+LAN3P+LAN1P +3xNL41 B - LAN2L+2xLAV62L+2xLAN3P+2xLAV66L+LAN4L+LAN5P +3xNL41			

Extra charge					
Monitor shelf x1	Monitor shelf x 2				
X	X				

											
Symbol		Dimensions					kg m3 pcs	Composition elements			
A	B	W1	W2	D1	D2	H					
LAV38L	LAV39L	4386	1639		1307	1105	252.3 kg 2.106 m3 19 pcs	A - LAN6L+LAV66L+LAN4L+LAV64L +LAV62L+LAN1P+2xNL41 B - LAN2L+LAV62L+LAV64L+LAN3P +LAV66L+LAN5P+2xNL41			

Extra charge					
Monitor shelf x1	Monitor shelf x 2				
X	X				

								
Symbol		Dimensions					kg m3 pcs	Composition elements
A	B	W1	W2	D1	D2	H		
LAV50L		4566	1307			1105	260.5 kg 2.329 m3 17 pcs	LAN2L+2xLAV64L+LAV62L+LAN1P+2xNL41

Extra charge					
Monitor shelf x1	Monitor shelf x 2	Monitor shelf x 3			
X	X	X			

		Dimensions					kg m3 pcs	Composition elements
		W1	W2	D1	D2	H		
LAV51L		3202	3006			1105	410 kg 3.741 m3 27 pcs	LAN2L+2xLAV64L+2xLAV90L +LAN1P+3xNL41

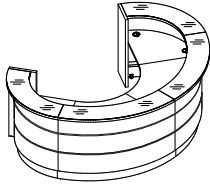
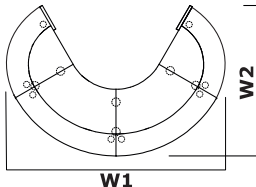
Extra charge						
Monitor shelf x1	Monitor shelf x 2	Monitor shelf x 3	Monitor shelf x 4			
X	X	X	X			

		Dimensions					kg m3 pcs	Composition elements
		W1	W2	D1	D2	H		
LAV52L		3202	1639			1105	271 kg 2.261 m3 15 pcs	LAN2L+2xLAV90L+LAN1P+NL41

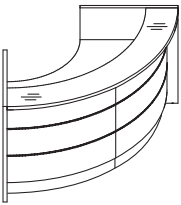
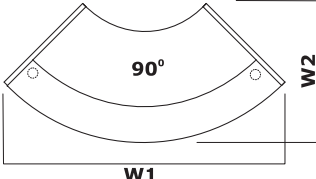
Extra charge						
Monitor shelf x1	Monitor shelf x 2					
X	X					

		Dimensions					kg m3 pcs	Composition elements
		W1	W2	D1	D2	H		
LAV61L		3202	1919			1105	322 kg 2.898 m3 15 pcs	LAD10+LAL10+2xLAV90L+LAP10+LAD10+NL41

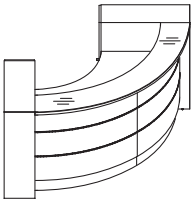
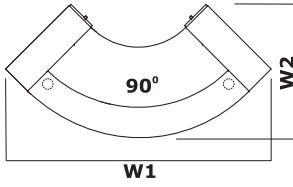
Extra charge						
Monitor shelf x1	Monitor shelf x 2					
X	X					

							kg m3 pcs	Composition elements
Symbol		W1	W2	D1	D2	H		
LAV04L		3202	3006			1105	250 kg 2.312 m3 23 pcs	LAN8L+2xLAV70L+2xLAV64L +LAN7P+3xNL41

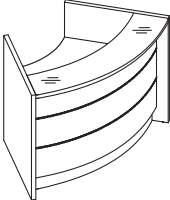
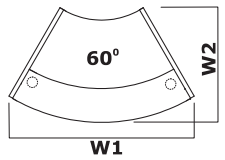
Extra charge						
Monitor shelf x1	Monitor shelf x 2					
X	X					

							kg m3 pcs	Composition elements
Symbol		W1	W2	D1	D2	H		
LAV53L		2317	1145			1105	160.5 kg 1.15 m3 8 pcs	LAN2L+LAV90L+LAN1P

Extra charge						
Monitor shelf x1						
X						

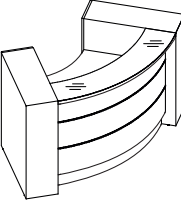
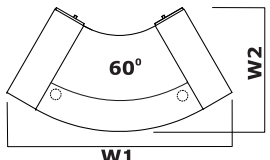
							kg m3 pcs	Composition elements
Symbol		W1	W2	D1	D2	H		
LAV73L		2713	1353			1105	217.5 kg 1.798 m3 10 pcs	LAD10+LAL10+LAV90L+LAP10+LAD10

Extra charge						
Monitor shelf x1						
X						

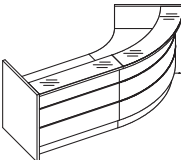
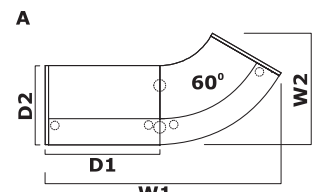
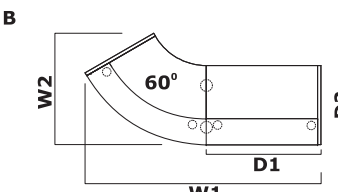
Symbol	Dimensions					kg m3 pcs	Composition elements
	W1	W2	D1	D2	H		
LAV54L	1666	1029			1105	119.5 kg 0.779 m3 7 pcs	LAN2L+LAV64L+LAN1P

Extra charge						
Monitor shelf x1						
X						

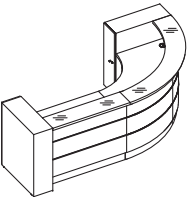
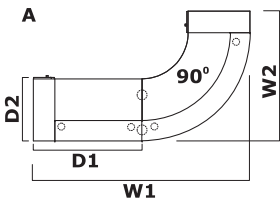
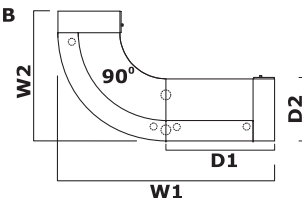
Symbol	Dimensions					kg m3 pcs	Composition elements
	W1	W2	D1	D2	H		
LAV74L	2151	1183			1105	176.5 kg 1.427 m3 9 pcs	LAD10+LAL10+LAV64L+LAP10+LAD10

Extra charge						
Monitor shelf x1						
X						

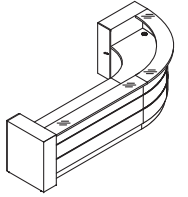
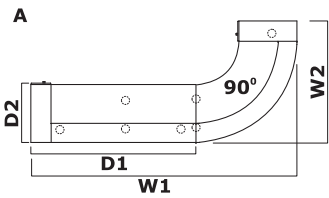
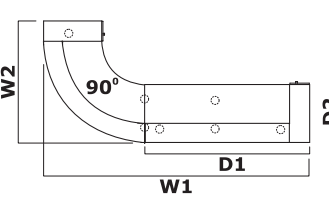
Symbol		Dimensions					kg m3 pcs	Composition elements
A	B	W1	W2	D1	D2	H		
LAV78L	LAV79L	2733	1292	1328	917	1105	178.1 kg 1.071 m3 13 pcs	A - LAN2L+LAV64L+LA13L+LAN1P+NL41 B - LAN2L+LA13L+LAV64L+LAN1P+NL41
LAV80L	LAV81L	3033	1292	1628	917	1105	191.5 kg 1.118 m3 13 pcs	A - LAN2L+LAV64L+LA16L+LAN1P+NL41 B - LAN2L+LA16L+LAV64L+LAN1P+NL41
LAV82L	LAV83L	3733	1292	2318	917	1105	218 kg 1.242 m3 14 pcs	A - LAN2L+LAV64L+LA23L+LAN1P+NL41 B - LAN2L+LA23L+LAV64L+LAN1P+NL41

Extra charge						
Monitor shelf x1	Monitor shelf x 2					
X	X					
X	X					
X	X					

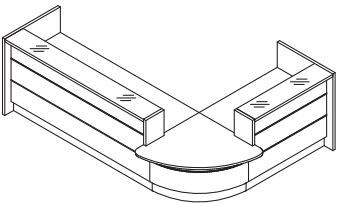
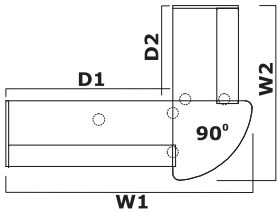
Symbol		Dimensions	kg m3 pcs	Composition elements
A	B			
LAV55L	LAV56L	W1: 3208, W2: 1918, D1: 1608, D2: 937, H: 1105	276.1 kg 2.089 m3 16 pcs	A - LAD10+LAL10+LAV90L+LA13L+LAP10+LAD10+NL41 B - LAD10+LAL10+LA13L+LAV90L+LAP10+LAD10+NL41
LAV57L	LAV58L	W1: 3508, W2: 1918, D1: 1908, D2: 937, H: 1105	289.5 kg 2.137 m3 16 pcs	A - LAD10+LAL10+LAV90L+LA16L+LAP10+LAD10+NL41 B - LAD10+LAL10+LA16L+LAV90L+LAP10+LAD10+NL41

Extra charge					
Monitor shelf x1	Monitor shelf x 2				
X	X				
X	X				

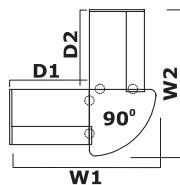
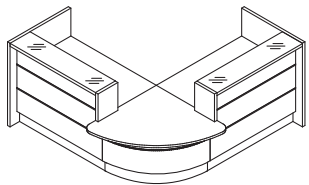
Symbol		Dimensions	kg m3 pcs	Composition elements
A	B			
LAV59L	LAV60L	W1: 4208, W2: 1918, D1: 2608, D2: 937, H: 1105	316 kg 2.261 m3 17 pcs	A - LAD10+LAL10+LAV90L+LA23L+LAP10+LAD10+NL41 B - LAD10+LAL10+LA23L+LAV90L+LAP10+LAD10+NL41

Extra charge					
Monitor shelf x1	Monitor shelf x 2				
X	X				

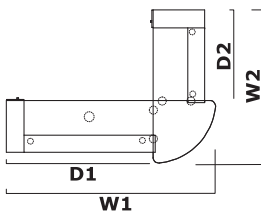
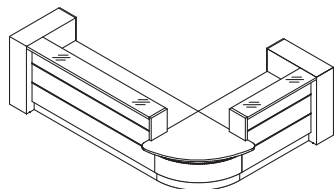
Symbol		Dimensions	kg m3 pcs	Composition elements
LAV107L		W1: 3437, W2: 2437, D1: 2318, D2: 1328, H: 1105	244.2 kg 1.121 m3 18 pcs	LAN2L+LA13L+LAN3P+LAV68L+LAN4L+LA23L+LAN1P+2xNL41
LAV108L		W1: 3437, W2: 2737, D1: 2318, D2: 1628, H: 1105	257.6 kg 1.168 m3 18 pcs	LAN2L+LA16L+LAN3P+LAV68L+LAN4L+LA23L+LAN1P+2xNL41
LAV109L		W1: 3437, W2: 3437, D1: 2318, D2: 2318, H: 1105	284.1 kg 1.293 m3 19 pcs	LAN2L+LA23L+LAN3P+LAV68L+LAN4L+LA23L+LAN1P+2xNL41

Extra charge					
Monitor shelf x1	Monitor shelf x 2				
X	X				
X	X				
X	X				



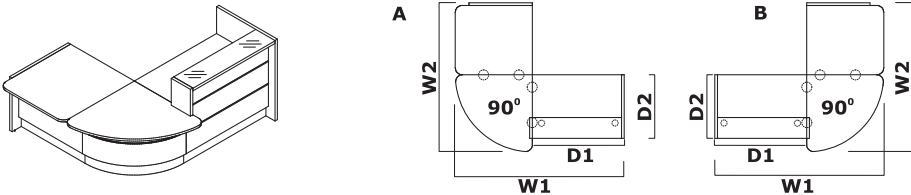
Symbol		Dimensions					kg m3 pcs	Composition elements
		W1	W2	D1	D2	H		
LAV101L		2437	2437	1328	1328	1105	204.3 kg 0.95 m3 17 pcs	LAN2L+LA13L+LAN3P+LAV68L+LAN4L+LA13L+LAN1P+2xNL41
LAV102L		2437	2737	1328	1628	1105	217.7 kg 0.997 m3 17 pcs	LAN2L+LA16L+LAN3P+LAV68L+LAN4L+LA13L+LAN1P+2xNL41
LAV103L		2437	3437	1328	2318	1105	244.2 kg 1.121 m3 18 pcs	LAN2L+LA23L+LAN3P+LAV68L+LAN4L+LA13L+LAN1P+2xNL41
LAV104L		2737	2437	1628	1328	1105	217.7 kg 0.997 m3 17 pcs	LAN2L+LA13L+LAN3P+LAV68L+LAN4L+LA16L+LAN1P+2xNL41
LAV105L		2737	2737	1628	1628	1105	231.1 kg 1.044 m3 17 pcs	LAN2L+LA16L+LAN3P+LAV68L+LAN4L+LA16L+LAN1P+2xNL41
LAV106L		2737	3437	1628	2318	1105	257.6 kg 1.168 m3 18 pcs	LAN2L+LA23L+LAN3P+LAV68L+LAN4L+LA16L+LAN1P+2xNL41

Extra charge						
Monitor shelf x1	Monitor shelf x 2					
X	X					
X	X					
X	X					
X	X					
X	X					
X	X					



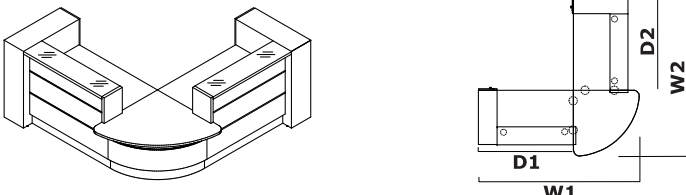
Symbol		Dimensions					kg m3 pcs	Composition elements
		W1	W2	D1	D2	H		
LAV122L		3717	2717	2608	1608	1105	301.2 kg 1.769 m3 20 pcs	LAD10+LAL10+LA13L+LAN3P +LAV68L+LAN4L+LA23L+LAP10 +LAD10+2xNL41
LAV123L		3717	3017	2608	1908	1105	314.6 kg 1.816 m3 20 pcs	LAD10+LAL10+LA16L+LAN3P +LAV68L+LAN4L+LA23L+LAP10 +LAD10+2xNL41
LAV124L		3717	3717	2608	2608	1105	341.1 kg 1.94 m3 21 pcs	LAD10+LAL10+LA23L+LAN3P +LAV68L+LAN4L+LA23L+LAP10 +LAD10+2xNL41

Extra charge						
Monitor shelf x1	Monitor shelf x 2					
X	X					
X	X					
X	X					



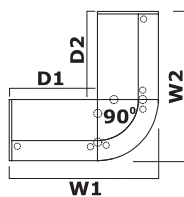
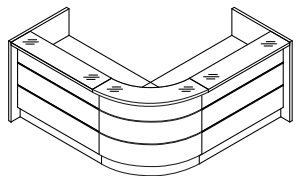
Symbol		Dimensions	kg m3 pcs	Composition elements				
A	B				W1	W2	D1	D2
LAV110L	LAV111L	2442	2147	1328	917	1105	176.4 kg 0.832 m3 16 pcs	A - LAN2L+LA13L+LAN3P+LAV68L+LAU11L+LAN5P+2xNL41 B - LAN6L+LAU11L+LAV68L+LAN4L +LA13L+LAN1P+2xNL41
LAV112L	LAV113L	2742	2147	1628	917	1105	189.8 kg 0.879 m3 16 pcs	A - LAN2L+LA16L+LAN3P+LAV68L+LAU11L+LAN5P+2xNL41 B - LAN6L+LAU11L+LAV68L+LAN4L +LA16L+LAN1P+2xNL41
LAV114L	LAV115L	3442	2147	2318	917	1105	216.3 kg 1.004 m3 17 pcs	A - LAN2L+LA23L+LAN3P+LAV68L+LAU11L+LAN5P+2xNL41 B - LAN6L+LAU11L+LAV68L+LAN4L +LA23L+LAN1P+2xNL41
LAV1101L	LAV1111L	2442	1947	1328	917	1105	172.4 kg 0.809 m3 16 pcs	A - LAN2L+LA13L+LAN3P+LAV68L+LAU18L+LAN5P+2xNL41 B - LAN6L+LAU18L+LAV68L+LAN4L+LA13L+LAN1P+2xNL41
LAV1121L	LAV1131L	2742	1947	1628	917	1105	185.8 kg 0.856 m3 16 pcs	A - LAN2L+LA16L+LAN3P+LAV68L+LAU18L+LAN5P+2xNL41 B - LAN6L+LAU18L+LAV68L+LAN4L+LA16L+LAN1P+2xNL41
LAV1141L	LAV1151L	3442	1947	2318	917	1105	212.3 kg 0.98 m3 17 pcs	A - LAN2L+LA23L+LAN3P+LAV68L+LAU18L+LAN5P+2xNL41 B - LAN6L+LAU18L+LAV68L+LAN4L+LA23L+LAN1P+2xNL41

Extra charge					
Monitor shelf x1					
X					
X					
X					
X					
X					
X					



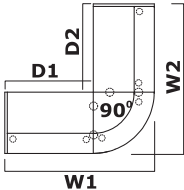
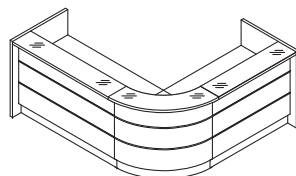
Symbol		Dimensions	kg m3 pcs	Composition elements				
					W1	W2	D1	D2
LAV116L		2717	2717	1608	1608	1105	261.3 kg 1.597 m3 19 pcs	LAD10+LAL10+LA13L+LAN3P +LAV68L+LAN4L+LA13L+LAP10 +LAD10+2xNL41
LAV117L		2717	3017	1608	1908	1105	274.7 kg 1.644 m3 19 pcs	LAD10+LAL10+LA16L+LAN3P +LAV68L+LAN4L+LA13L+LAP10 +LAD10+2xNL41
LAV118L		2717	3717	1608	2608	1105	301.2 kg 1.769 m3 20 pcs	LAD10+LAL10+LA23L+LAN3P +LAV68L+LAN4L+LA13L+LAP10 +LAD10+2xNL41
LAV119L		3017	2717	1908	1608	1105	274.7 kg 1.644 m3 19 pcs	LAD10+LAL10+LA13L+LAN3P +LAV68L+LAN4L+LA16L+LAP10 +LAD10+2xNL41

Extra charge					
Monitor shelf x1	Monitor shelf x 2				
X	X				
X	X				
X	X				
X	X				



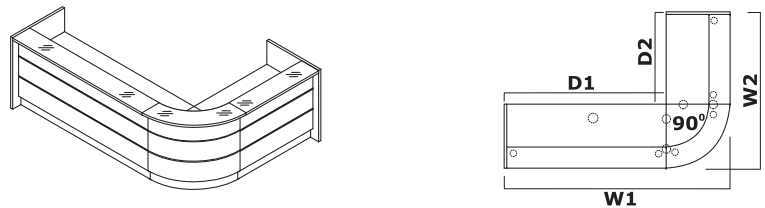
Symbol		Dimensions					kg m3 pcs	Composition elements
		W1	W2	D1	D2	H		
LAV131L		2245	2245	1328	1328	1105	206.7 kg 1.036 m3 16 pcs	LAN2L+LA13L+LAV70L+LA13L+LAN1P+2xNL41
LAV132L		2245	2545	1328	1628	1105	220.1 kg 1.083 m3 16 pcs	LAN2L+LA16L+LAV70L+LA13L+LAN1P+2xNL41
LAV133L		2245	3245	1328	2318	1105	246.6 kg 1.208 m3 17 pcs	LAN2L+LA23L+LAV70L+LA13L+LAN1P+2xNL41

Extra charge						
Monitor shelf x1	Monitor shelf x 2					
X	X					
X	X					
X	X					



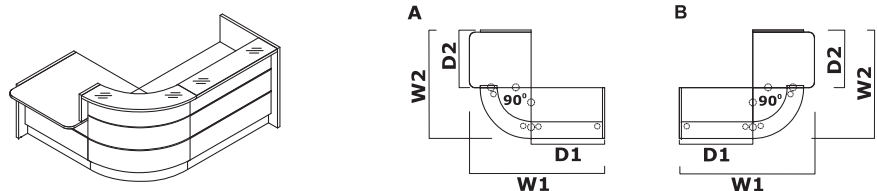
Symbol		Dimensions					kg m3 pcs	Composition elements
		W1	W2	D1	D2	H		
LAV134L		2545	2245	1628	1328	1105	220.1 kg 1.083 m3 16 pcs	LAN2L+LA13L+LAV70L+LA16L+LAN1P+2xNL41
LAV135L		2545	2545	1628	1628	1105	233.5 kg 1.13 m3 16 pcs	LAN2L+LA16L+LAV70L+LA16L+LAN1P+2xNL41
LAV136L		2545	3245	1628	2318	1105	260 kg 1.255 m3 17 pcs	LAN2L+LA23L+LAV70L+LA16L+LAN1P+2xNL41

Extra charge						
Monitor shelf x1	Monitor shelf x 2					
X	X					
X	X					
X	X					



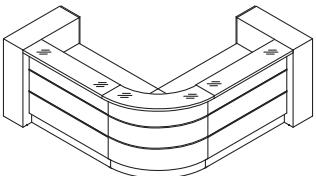
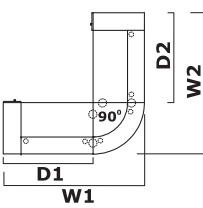
Symbol		Dimensions					kg m3 pcs	Composition elements
		W1	W2	D1	D2	H		
LAV137L		3245	2245	2318	1328	1105	246.6 kg 1.208 m3 17 pcs	LAN2L+LA13L+LAV70L+LA23L+LAN1P+2xNL41
LAV138L		3245	2545	2318	1628	1105	260 kg 1.255 m3 17 pcs	LAN2L+LA16L+LAV70L+LA23L+LAN1P+2xNL41
LAV139L		3245	3245	2318	2318	1105	286.5 kg 1.379 m3 18 pcs	LAN2L+LA23L+LAV70L+LA23L+LAN1P+2xNL41

Extra charge						
Monitor shelf x1	Monitor shelf x 2					
X	X					
X	X					
X	X					



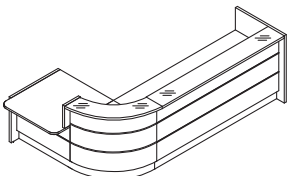
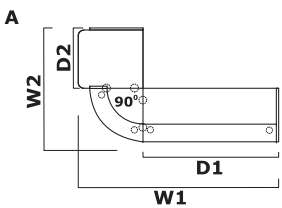
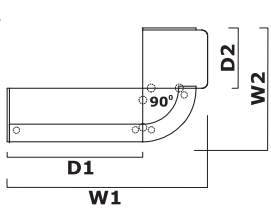
Symbol		Dimensions					kg m3 pcs	Composition elements
		W1	W2	D1	D2	H		
LAV140L	LAV141L	2442	1955	1328	1038	1105	184.4 kg 0.933 m3 17 pcs	A - LAN2L+LA13L+LAV70L+LAN3P+LAU11L+LAN5P+2xNL41 B - LAN6L+LAU11L+LAN4L+LAV70L +LA13L+LAN1P+2xNL41
LAV142L	LAV143L	2742	1955	1628	1038	1105	197.8 kg 0.98 m3 17 pcs	A - LAN2L+LA16L+LAV70L+LAN3P+LAU11L+LAN5P+2xNL41 B - LAN6L+LAU11L+LAN4L+LAV70L +LA16L+LAN1P+2xNL41
LAV1401L	LAV1411L	2442	1755	1328	838	1105	180.4 kg 0.91 m3 17 pcs	A - LAN2L+LA13L+LAV70L+LAN3P+LAU18L+LAN5P+2xNL41 B - LAN6L+LAU18L+LAN4L+LAV70L+LA13L+LAN1P+2xNL41
LAV1421L	LAV1431L	2742	1755	1628	838	1105	193.8 kg 0.957 m3 17 pcs	A - LAN2L+LA16L+LAV70L+LAN3P+LAU18L+LAN5P+2xNL41 B - LAN6L+LAU18L+LAN4L+LAV70L+LA16L+LAN1P+2xNL41

Extra charge						
Monitor shelf x1						
X						
X						
X						
X						

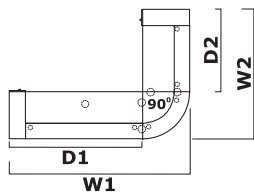
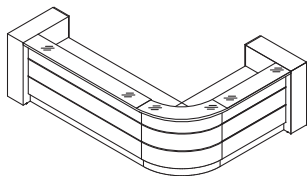
Symbol		Dimensions					kg m3 pcs	Composition elements
		W1	W2	D1	D2	H		
LAV146L		2525	2525	1608	1608	1105	263.7 kg 1.684 m3 18 pcs	LAD10+LAL10+LA13L+LAV70L+LA13L+LAP10+LAD10+2xNL41
LAV147L		2525	2825	1608	1908	1105	277.1 kg 1.731 m3 18 pcs	LAD10+LAL10+LA16L+LAV70L+LA13L+LAP10+LAD10+2xNL41
LAV148L		2525	3525	1608	2608	1105	303.6 kg 1.855 m3 19 pcs	LAD10+LAL10+LA23L+LAV70L+LA13L+LAP10+LAD10+2xNL41
LAV149L		2825	2525	1908	1608	1105	277.1 kg 1.731 m3 18 pcs	LAD10+LAL10+LA13L+LAV70L+LA16L+LAP10+LAD10+2xNL41
LAV150L		2825	2825	1908	1908	1105	290.5 kg 1.778 m3 18 pcs	LAD10+LAL10+LA16L+LAV70L+LA16L+LAP10+LAD10+2xNL41
LAV151L		2825	3525	1908	2608	1105	317 kg 1.902 m3 19 pcs	LAD10+LAL10+LA23L+LAV70L+LA16L+LAP10+LAD10+2xNL41

Extra charge						
Monitor shelf x1	Monitor shelf x 2					
X	X					
X	X					
X	X					
X	X					
X	X					
X	X					

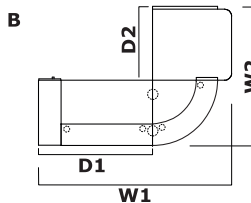
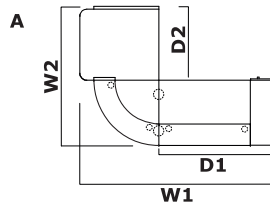
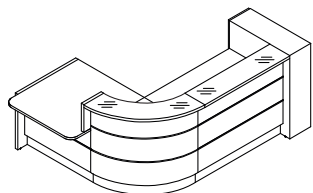
Symbol	A	B	Dimensions					kg m3 pcs	Composition elements
			W1	W2	D1	D2	H		
LAV144L		LAV145L	3442	1955	2318	1038	1105	224.3 kg 1.104 m3 18 pcs	A - LAN2L+LA23L+LAV70L+LAN3P+LAU11L+LAN5P+2xNL41 B - LAN6L+LAU11L+LAN4L+LAV70L +LA23L+LAN1P+2xNL41
LAV1441L		LAV1451L	3442	1755	2318	838	1105	220.3 kg 1.081 m3 18 pcs	A - LAN2L+LA23L+LAV70L+LAN3P+LAU18L+LAN5P+2xNL41 B - LAN6L+LAU18L+LAN4L+LAV70L+LA23L+LAN1P+2xNL41

Extra charge						
Monitor shelf x1						
X						
X						



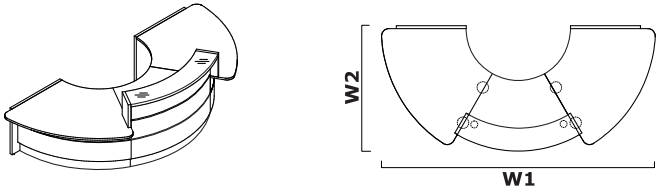
Symbol		Dimensions					kg m3 pcs	Composition elements
		W1	W2	D1	D2	H		
LAV152L		3525	2525	2608	1608	1105	303.6 kg 1.855 m3 19 pcs	LAD10+LAL10+LA13L+LAV70L+LA23L+LAP10+LAD10+2xNL41
LAV153L		3525	2825	2608	1908	1105	317 kg 1.902 m3 19 pcs	LAD10+LAL10+LA16L+LAV70L+LA23L+LAP10+LAD10+2xNL41
LAV154L		3525	3525	2608	2608	1105	343.5 kg 2.027 m3 20 pcs	LAD10+LAL10+LA23L+LAV70L+LA23L+LAP10+LAD10+2xNL41

Extra charge						
Monitor shelf x1	Monitor shelf x 2					
X	X					
X	X					
X	X					



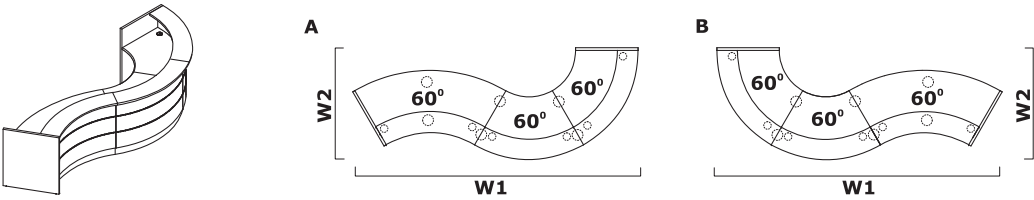
Symbol			Dimensions					kg m3 pcs	Composition elements
A	B		W1	W2	D1	D2	H		
LAV155L	LAV156L		2722	1955	1608	1038	1105	209.9 kg 1.251 m3 17 pcs	A - LAD10+LAL10+LA13L+LAV70L+LAN3P+LAU11L+LAN5P+2xNL41 B - LAN6L+LAU11L+LAN4L+LAV70L +LA13L+LAP10+LAD10+2xNL41
LAV157L	LAV158L		3022	1955	1908	1038	1105	223.3 kg 1.299 m3 17 pcs	A - LAD10+LAL10+LA16L+LAV70L+LAN3P+LAU11L+LAN5P+2xNL41 B - LAN6L+LAU11L+LAN4L+LAV70L +LA16L+LAP10+LAD10+2xNL41
LAV159L	LAV160L		3722	1955	2608	1038	1105	249.8 kg 1.423 m3 18 pcs	A - LAD10+LAL10+LA23L+LAV70L+LAN3P+LAU11L+LAN5P+2xNL41 B - LAN6L+LAU11L+LAN4L+LAV70L +LA23L+LAP10+LAD10+2xNL41
LAV1551L	LAV1561L		2722	1755	1608	838	1105	205.9 kg 1.228 m3 17 pcs	A - LAD10+LAL10+LA13L+LAV70L+LAN3P+LAU18L+LAN5P+2xNL41 B - LAN6L+LAU18L+LAN4L+LAV70L+LA13L+LAP10+LAD10+2xNL41
LAV1571L	LAV1581L		3022	1755	1908	838	1105	219.3 kg 1.275 m3 17 pcs	A - LAD10+LAL10+LA16L+LAV70L+LAN3P+LAU18L+LAN5P+2xNL41 B - LAN6L+LAU18L+LAN4L+LAV70L+LA16L+LAP10+LAD10+2xNL41
LAV1591L	LAV1601L		3722	1755	2608	838	1105	245.8 kg 1.4 m3 18 pcs	A - LAD10+LAL10+LA23L+LAV70L+LAN3P+LAU18L+LAN5P+2xNL41 B - LAN6L+LAU18L+LAN4L+LAV70L+LA23L+LAP10+LAD10+2xNL41

Extra charge						
Monitor shelf x1						
X						
X						
X						
X						
X						



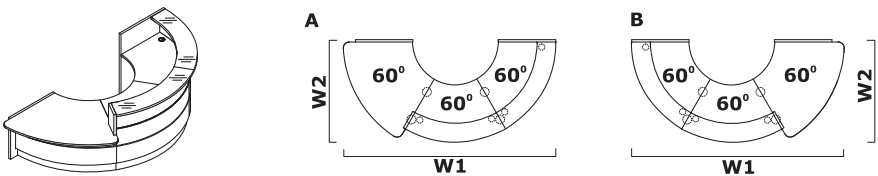
Symbol		Dimensions					kg m3 pcs	Composition elements
		W1	W2	D1	D2	H		
LAV05L		3589	1629			1105	224.1 kg 1.781 m3 17 pcs	LAN6L+2xLAV66L+LAN4L+LAV64L+LAN3P+LAN5P+2xNL41

Extra charge						
Monitor shelf x1						
X						



Symbol		Dimensions					kg m3 pcs	Composition elements
A	B	W1	W2	D1	D2	H		
LAV06L	LAV07L	4199	1629			1105	269.5 kg 2.345 m3 20 pcs	A - LAN2L+2xLAV64L+LAV62L+LAN1P+2xNL41 B - LAN2L+LAV62L+2xLAV64L+LAN1P+2xNL41

Extra charge						
Monitor shelf x1	Monitor shelf x 2	Monitor shelf x 3				
X	X	X				



Symbol		Dimensions					kg m3 pcs	Composition elements
A	B	W1	W2	D1	D2	H		
LAV08L	LAV09L	3367	1629			1105	235.3 kg 2.009 m3 16 pcs	A - LAN2L+2xLAV64L+LAN3P+LAV66L+LAN5P+2xNL41 B - LAN6L+LAV66L+LAN4L+2xLAV64L+LAN1P+2xNL41

Extra charge						
Monitor shelf x1	Monitor shelf x 2					
X	X					

