

# Linea technical specification



**MDD has a leading position among manufacturers of office furniture with many awards that prove quality and continuously increase demand for its products.**

The realities of today's market require constant quality improvement at all levels of modern organization. This applies in particular to customer service, marketing, quality of products and also to quality of processes within the company. Partnership relations among employees and with business partners form a base of economic growth and success of the company.

Constant investments in innovative machinery park, optimization of management systems and an expansion of production halls allow to minimize the lead times for the product of the highest quality.

**More than twenty years of experience in office furniture industry come with reference from a long list of companies and institutions to show their appreciation for an efficient and comprehensive service.**

**MDD is highly aware of the environment.**

Being located in the forest region with lake by its side, MDD takes the nature seriously and invests constantly in a modern and energy-efficient solutions to preserve the local life. Company puts emphasis on waste segregation and recycling. MDD has been awarded for the exceptional care and involvement in waste disposal. All materials used are environmentally friendly and enjoy a high 95 % rate of being recycled.



**General informations:**

**Warranty:**

MDD products - **5 years.**

Electrical components and fabric - **2 years.**

**Certificate - MFC:**



**Boards density:**

12 mm - 690 - 750 kg/m<sup>3</sup>

18 mm - 650 - 690 kg/m<sup>3</sup>

28 mm - 610 - 630 kg/m<sup>3</sup>

36 mm - 610 - 630 kg/m<sup>3</sup>

**Assembly:**

product delivered in separate elements

**Packing:**

reception placed on a pallet, the whole is covered in foam wrap and 5-layer cardboard, package is fastened with polypropylene tape;

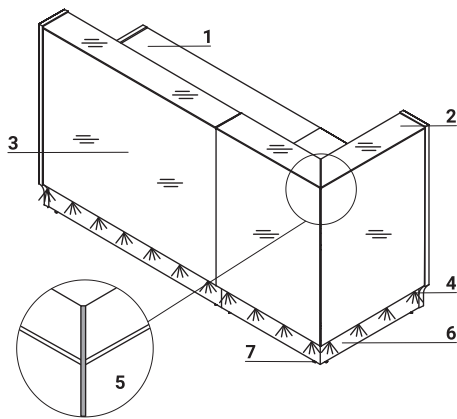
cardboard, perforated plastic mesh wrap

cardboard, perforated plastic mesh wrap

cardboard, perforated plastic mesh wrap

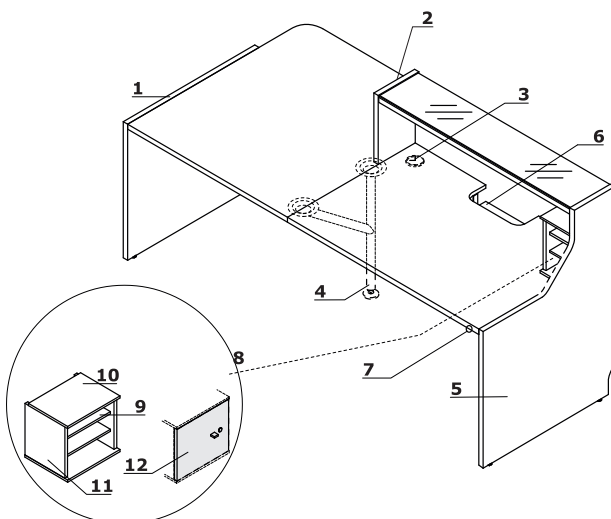
Linea	Date of preparation 07.05.2020	The data contained in this document is valid in the day of its preparation. Change of the product, as long as it does not affect the basic features of it, does not require consistent updates of the document.	page 2/7 <b>general informations</b>
-------	-----------------------------------	---	---

## Technical specification



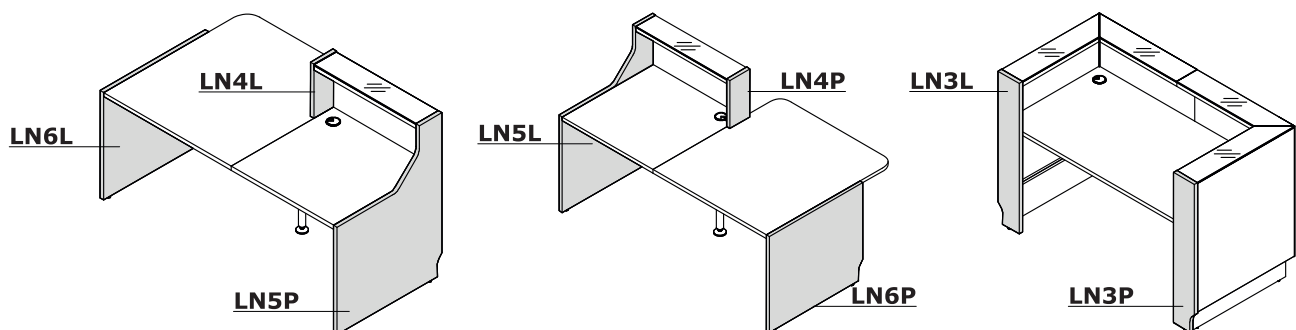
1. **Worktop** - MFC 28 mm, ABS edge
2. **Top** - tempered optiwhite glass, 8 mm - painted on bottom side
3. **Front** - glass LACOBEL 4 mm
4. **LED illumination** - at the full length of the reception desk, cold white color (verging on the blue shade);
5. **Corner slate** - stainless steel 4 mm
6. **Kick plate** - HPL - brushed aluminium
7. **Leveling** - 5 mm range

## Technical specification



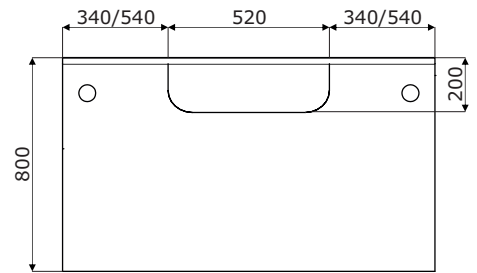
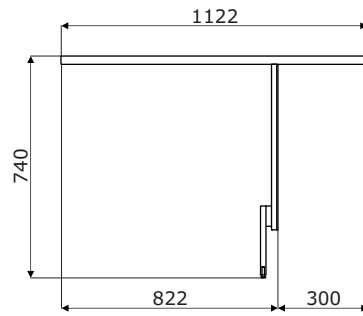
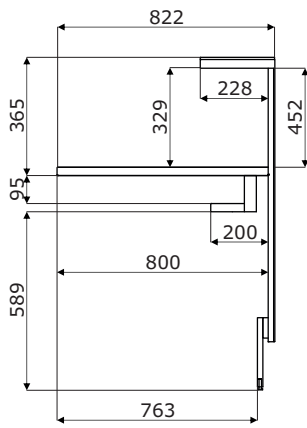
1. **Low side panel** - MFC 28 mm, ABS edge
2. **Side panel linking low and high fronts** - MFC 28 mm, ABS edge
3. **Cable grommets** - Ø80 mm
4. **Supporting leg NL41** - required for connecting the tops
5. **High side panel** - MFC 28 mm, ABS edge
6. **OPTION WITH EXTRA CHARGE** - working top with lowered monitor shelf - MFC 28 mm, ABS edge
7. **Light switch**
8. **LMS05** - reception desk storage; order separately
9. **Shelf** - MFC 12 mm, ABS edge
10. **Top** - MFC 12 mm, ABS edge
11. **Body** - MFC 18 mm, ABS edge
12. **Optional front with lock** - universal (left, right); - MFC 18 mm, ABS edge; - ordered as separate element

## Ending elements application



Linea	Date of preparation 07.05.2020	The data contained in this document is valid in the day of its preparation. Change of the product, as long as it does not affect the basic features of it, does not require consistent updates of the document.	page 3/7 technical specification
-------	-----------------------------------	---	-------------------------------------

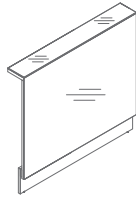
## Dimensions



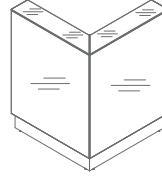
## Composition elements \*



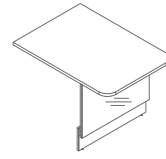
**LN08**  
800 / 250 / 1105  
27,5 kg



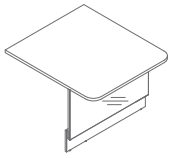
**LN12**  
1200 / 250 / 1105  
41,5 kg



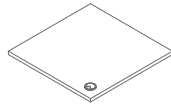
**LN91**  
822 / 822 / 1105  
78,5 kg



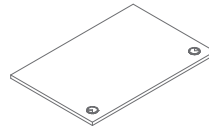
**LNU18**  
800 / 1122 / 740  
26,5 kg



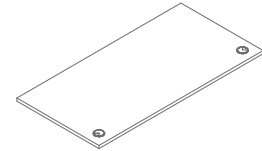
**LNU11**  
1000 / 1122 / 740  
31,5 kg



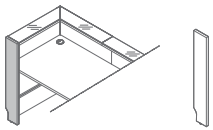
**LNB08**  
800 / 800 / 28  
14 kg



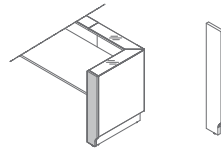
**LNB13**  
1200 / 800 / 28  
21 kg



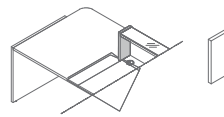
**LNB15**  
1600 / 800 / 28  
27 kg



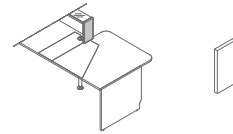
**LN3L**  
254 / 28 / 1105  
7 kg



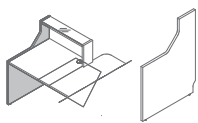
**LN3P**  
254 / 28 / 1105  
7 kg



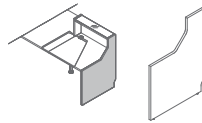
**LN4L**  
254 / 28 / 367  
2,5 kg



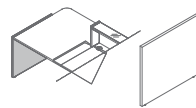
**LN4P**  
254 / 28 / 367  
2,5 kg



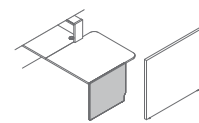
**LN5L**  
824 / 28 / 1105  
71,4 kg



**LN5P**  
824 / 28 / 1105  
14 kg



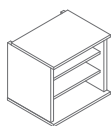
**LN6L**  
824 / 28 / 740  
212 kg



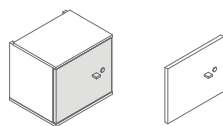
**LN6P**  
824 / 28 / 740  
12 kg

\* dimensions expressed in millimeters: width x depth x height

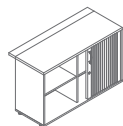
## Composition elements \*



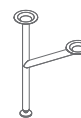
**LMS05**  
345 / 283 / 314  
5 kg



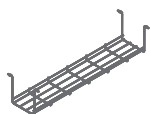
**LMS06**  
339 / 18 / 286  
2 kg



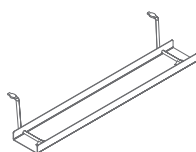
**L2Z06**  
1200 / 532 / 740  
49.5 kg



**NL41**  
585 / 142 / 712  
2 kg

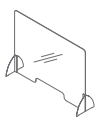


**S69L**  
580 / 162 / 123  
1 kg



**E64L**  
460 / 89 / 120  
0.5 kg

## Sneeze guard \*



**NPX1**  
1000 / 250 / 750  
3 kg

\* dimensions expressed in millimeters: width x depth x height

<b>Linea</b>	Date of preparation 07.05.2020	The data contained in this document is valid in the day of its preparation. Change of the product, as long as it does not affect the basic features of it, does not require consistent updates of the document.	page 6/7
			<b>products</b>

## Upper top



116 Glass black  
RAL9005



117 Glass white  
RAL9003



124 Glass silver  
RAL9007



## Body



08 Black



67 White pastel



26 Aluminum  
satinato



## Front



116 Glass black  
RAL9005



117 Glass white  
RAL9003



124 Glass silver  
RAL9007



134 Glass  
turquoise  
NCS S 4050B20G



135 Glass yellow  
RAL DESIGN  
0908080



136 Glass pink  
RAL DESIGN  
3404045

## Supporting leg - metal



M009 Aluminum  
semi-matt RAL9006



M015 White semi-  
matt RAL9010



M115 Black  
semi-matt RAL9005

## Copplementary elements - LMS05, LMS06, L2Z06



08 Black



67 White pastel



26 Aluminum  
satinato

## Copplementary elements - S69L, E64L



M009 Aluminum  
semi-matt RAL9006

Symbol		Dimensions					kg m3 pcs	Composition elements
		W1	W2	D1	D2	H		
<b>LIN08</b>		856	824			1105	69.5 kg 0.345 m3 5 pcs	LN5L+LNB08+LN08+LN5P
<b>LIN13</b>		1256	824			1105	87.5 kg 0.479 m3 5 pcs	LN5L+LNB13+LN12+LN5P

Extra charge						

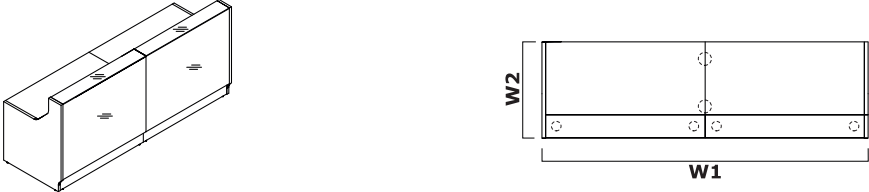
Symbol		Dimensions					kg m3 pcs	Composition elements
		W1	W2	D1	D2	H		
<b>LIN15</b>		1656	824			1105	107 kg 0.623 m3 7 pcs	LN5L+LNB15+2xLN08+LN5P

Extra charge						
Monitor shelf x1						
	X					

Symbol		Dimensions					kg m3 pcs	Composition elements
		W1	W2	D1	D2	H		
<b>LIN20</b>		2056	824			1105	134 kg 0.826 m3 10 pcs	LN5L+LNB13+LN08+LN12+LNB08 +LN5P+NL41

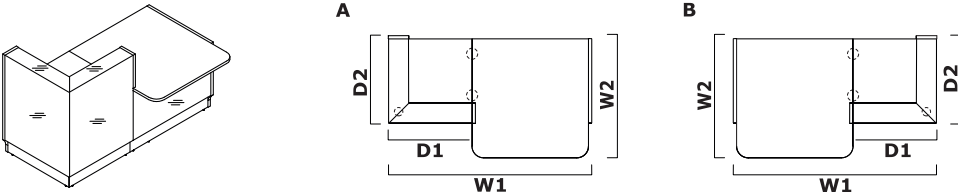
Extra charge						
Monitor shelf x1						
	X					





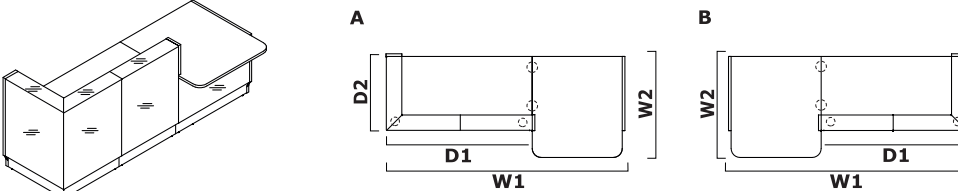
Symbol		Dimensions					kg m3 pcs	Composition elements
		W1	W2	D1	D2	H		
<b>LIN25</b>		2456	824			1105	149 kg 0.955 m3 9 pcs	LN5L+2xLNB13+2xLN12+LN5P+NL41

Extra charge						
Monitor shelf x1	Monitor shelf x 2					
X	X					



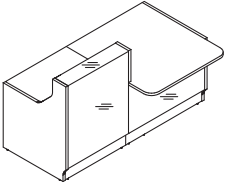
Symbol		Dimensions					kg m3 pcs	Composition elements
		W1	W2	D1	D2	H		
<b>LIN29L</b>	<b>LIN29P</b>	1850	1150	822	850	1105	147.5 kg 1.296 m3 9 pcs	A - LN6L+LNU11+LN4L+LNB08+LN91+LN3P+NL41 B - LN3L+LN91+LNB08+LN4P+LNU11+LN6P+NL41
<b>LIN291L</b>	<b>LIN291P</b>	1650	1150	822	850	1105	142.5 kg 1.269 m3 9 pcs	A - LN6L+LNU18+LN4L+LNB08+LN91+LN3P+NL41 B - LN3L+LN91+LNB08+LN4P+LNU18+LN6P+NL41

Extra charge						

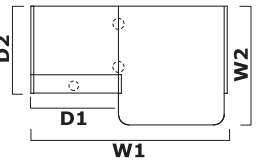


Symbol		Dimensions					kg m3 pcs	Composition elements
		W1	W2	D1	D2	H		
<b>LIN35L</b>	<b>LIN35P</b>	2650	1150	1622	850	1105	188 kg 1.58 m3 12 pcs	A - LN6L+LNU11+LN4L+LN08+LNB15+LN91+LN3P+NL41 B - LN3L+LN91+LNB15+LN08+LN4P +LNU11+LN6P+NL41
<b>LIN351L</b>	<b>LIN351P</b>	2450	1150	1622	850	1105	183 kg 1.553 m3 12 pcs	A - LN6L+LNU18+LN4L+LN08+LNB15+LN91+LN3P+NL41 B - LN3L+LN91+LNB15+LN08+LN4P +LNU18+LN6P+NL41

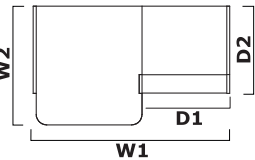
Extra charge						
Monitor shelf x1						
X						
X						



**A**

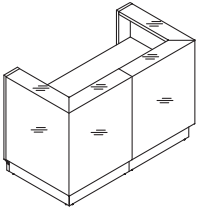


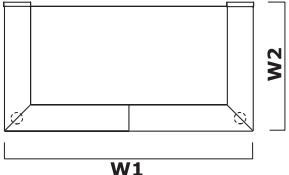
**B**



Symbol		Dimensions					kg m3 pcs	Composition elements
A	B	W1	W2	D1	D2	H		
<b>LIN33L</b>	<b>LIN33P</b>	1856	1122	828	824	1105	103.5 kg 0.562 m3 9 pcs	A - LN6L+LNU11+LN4L+LN08+LNB08+LN5P+NL41 B - LN5L+LNB08+LN08+LN4P+LNU11+LN6P+NL41
<b>LIN331L</b>	<b>LIN331P</b>	1656	1122	828	824	1105	98.5 kg 0.536 m3 9 pcs	A - LN6L+LNU18+LN4L+LN08+LNB08+LN5P+NL41 B - LN5L+LNB08+LN08+LN4P+LNU18+LN6P+NL41

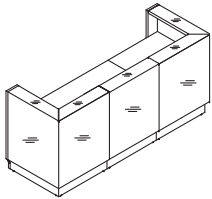
Extra charge					

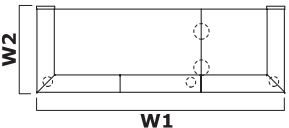




Symbol		Dimensions					kg m3 pcs	Composition elements
		W1	W2	D1	D2	H		
<b>LIN36</b>		1644	850			1105	198 kg 2.096 m3 8 pcs	LN3L+LNB15+2xLN91+LN3P

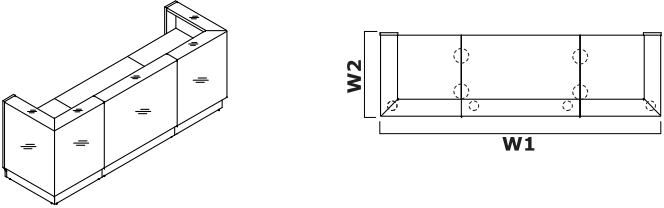
Extra charge					





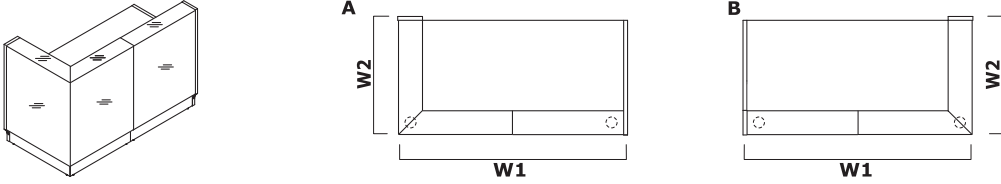
Symbol		Dimensions					kg m3 pcs	Composition elements
		W1	W2	D1	D2	H		
<b>LIN42</b>		2444	850			1105	241.5 kg 2.439 m3 12 pcs	LN3L+LNB08+2xLN91+LN08+LNB15+LN3P+NL41

Extra charge					



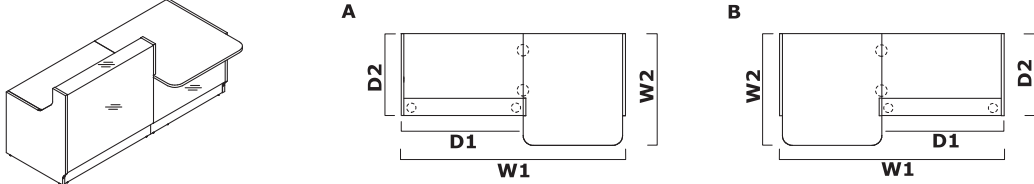
Symbol		Dimensions					kg m3 pcs	Composition elements
		W1	W2	D1	D2	H		
<b>LIN43</b>		2844	850			1105	265.5 kg 2.637 m3 14 pcs	LN3L+LNB08+2xLN91+LNB13 +LN12+LNB08+LN3P+2xNL41

Extra charge					



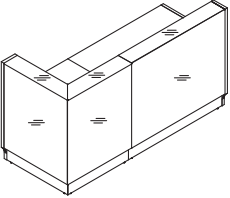
Symbol		Dimensions					kg m3 pcs	Composition elements
		W1	W2	D1	D2	H		
<b>LIN37L</b>	<b>LIN37P</b>	1650	850			1105	154 kg 1.362 m3 8 pcs	A - LN5L+LN08+LNB15+LN91+LN3P B - LN3L+LN91+LNB15+LN08+LN5P

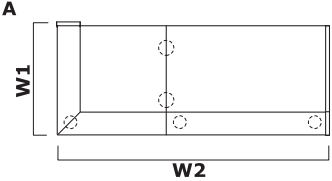
Extra charge					



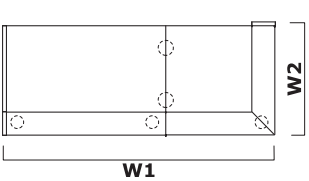
Symbol		Dimensions					kg m3 pcs	Composition elements
		W1	W2	D1	D2	H		
<b>LIN34L</b>	<b>LIN34P</b>	2256	1122	1228	824	1105	124.5 kg 0.701 m3 10 pcs	A - LN6L+LNU11+LN4L+LN12+LNB13+LN5P+NL41 B - LN5L+LNB13+LN12+LN4P+LNU11+LN6P+NL41
<b>LIN341L</b>	<b>LIN341P</b>	2056	1122	1228	824	1105	119.5 kg 0.674 m3 10 pcs	A - LN6L+LNU18+LN4L+LN12+LNB13+LN5P+NL41 B - LN5L+LNB13+LN12+LN4P+LNU18+LN6P+NL41

Extra charge					





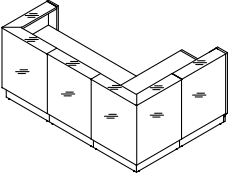
**A**

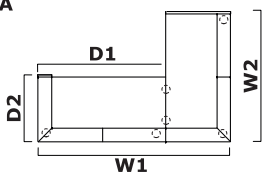


**B**

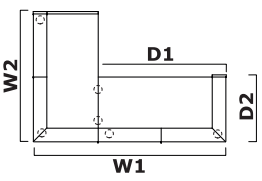
Symbol			Dimensions					kg m3 pcs	Composition elements
A	B		W1	W2	D1	D2	H		
<b>LIN38L</b>	<b>LIN38P</b>		2050	850			1105	178 kg 1.56 m3 10 pcs	A - LN5L+LNB13+LN12+LNB08+LN91+LN3P+NL41 B - LN3L+LNB08+LN91+LNB13+LN12+LN5P+NL41

Extra charge						





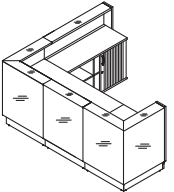
**A**

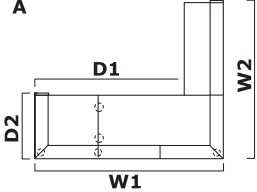


**B**

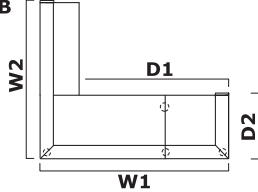
Symbol			Dimensions					kg m3 pcs	Composition elements
A	B		W1	W2	D1	D2	H		
<b>LIN39L</b>	<b>LIN39P</b>		2444	1650	1622	850	1105	286 kg 2.735 m3 14 pcs	A - LN5L+2xLN08+2xLNB15+2xLN91+LN3P+NL41 B - LN3L+2xLN91+2xLNB15+2xLN08+LN5P+NL41

Extra charge						





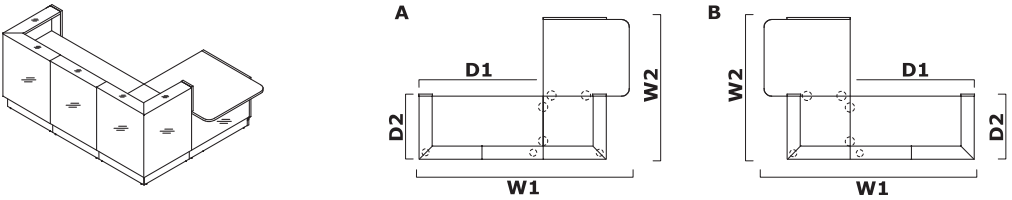
**A**



**B**

Symbol			Dimensions					kg m3 pcs	Composition elements
A	B		W1	W2	D1	D2	H		
<b>LIN40L</b>	<b>LIN40P</b>		2444	2050	1950	850	1105	332.5 kg 3.283 m3 16 pcs	A - LN3L+LN12+L2Z06+2xLN91+LNB15+LN08+LNB08+LN3P+NL41 B - LN3L+LNB08+2xLN91+LN08+LNB15+L2Z06+LN12+LN3P+NL41

Extra charge						



Symbol			Dimensions					kg m3 pcs	Composition elements
A	B		W1	W2	D1	D2	H		
<b>LIN41L</b>	<b>LIN41P</b>		2744	1850	1622	850	1105	282.5 kg 2.674 m3 16 pcs	A - LN6L+LNU11+LN4L+2xLN91+LNB08+LN08+LNB15+LN3P+2xNL41 B - LN3L+2xLN91+LNB15+LN08+LNB08+LN4P+LNU11+LN6P+2xNL41
<b>LIN411L</b>	<b>LIN411P</b>		2744	1650	1622	850	1105	277.5 kg 2.648 m3 16 pcs	A - LN6L+LNU18+LN4L+2xLN91 +LNB08+LN08+LNB15+LN3P+2xNL41 B - LN3L+2xLN91+LNB15+LN08+LNB08+LN4P+LNU18+LN6P+2xNL41

Extra charge						





