

MDD has a leading position among manufacturers of office furniture with many awards that prove quality and continuously increase demand for its products.

The realities of today's market require constant quality improvement at all levels of modern organization. This applies in particular to customer service, marketing, quality of products and also to quality of processes within the company. Partnership relations among employees and with business partners form a base of economic growth and success of the company.

Constant investments in innovative machinery park, optimization of management systems and an expansion of production halls allow to minimize the lead times for the product of the highest quality.

More than twenty years of experience in office furniture industry come with reference from a long list of companies and institutions to show their appreciation for an efficient and comprehensive service.

MDD is highly aware of the environment.

Being located in the forest region with lake by its side, MDD takes the nature seriously and invests constantly in a modern and energy-efficient solutions to preserve the local life. Company puts emphasis on waste segregation and recycling. MDD has been awarded for the exceptional care and involvement in waste disposal. All materials used are environmentally friendly and enjoy a high 95 % rate of being recycled.



General informations:

Warranty:

MDD products - **5 years.**

Electrical components and fabric - **2 years.**

Certificate - MFC:



Certificate - fabric:



Prizes and awards:



Assembly:

the product comes pre-assembled

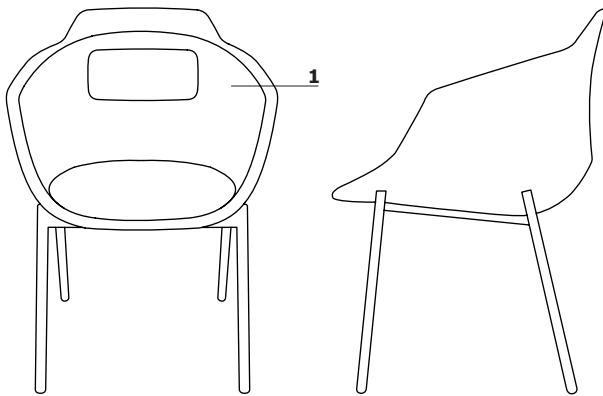
Packing:

cardboard

| | | | |
|---------|-----------------------------------|---|--|
| Ultra F | Date of preparation 28.08.2020 | The data contained in this document is valid in the day of its preparation. Change of the product, as long as it does not affect the basic features of it, does not require consistent updates of the document. | page 2/11 general informations |
|---------|-----------------------------------|---|--|

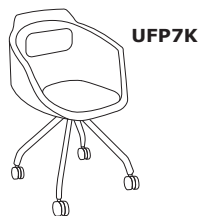
Technical specification

1. Seat - metal frame filled with foam, density of 55 kg/m³, upholstered



- max. load 120 kg

Ultra F



Base UFP7K:

- 4 - star, metal, powder coated
- fixed seat
- legs 30 × 18 mm, wall thickness 1,5 mm; CNC - bent
- castors for soft or hard floors



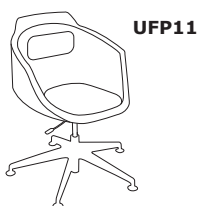
Base UFP7:

- 4 - star, metal, powder coated
- swivel seat - 360°
- legs 30 × 18 mm, wall thickness 1,5 mm; CNC - bent
- legs finished with polypropylene feet, colour: black



Base UFP1:

- 4 - legged, metal, powder coated
- legs made of tube Ø22 mm, wall thickness 2,5 mm. CNC - bent
- legs finished with polypropylene feet, colour: black



Base UFP11:

- base 5 - star, polypropylene, Ø=680 mm, h=124 mm
- polypropylene feet Ø=50 mm, h=32
- gas spring, steel, colour: black, adjustment range 130 mm (400 - 530 mm)

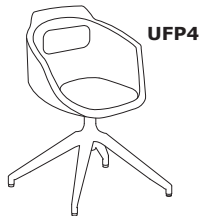
| | | | |
|---------|-----------------------------------|---|--------------------------------------|
| Ultra F | Date of preparation 28.08.2020 | The data contained in this document is valid in the day of its preparation. Change of the product, as long as it does not affect the basic features of it, does not require consistent updates of the document. | page 3/11 technical specification |
|---------|-----------------------------------|---|--------------------------------------|

Ultra F



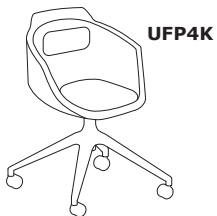
Base UFP11K:

- base 5 - star, polypropylene, Ø=680 mm, h=124 mm
- castors for soft or hard floors Ø55 mm
- gas spring, steel, colour: black, adjustment range 130 mm (400 - 530 mm)



Base UFP4:

- 4 - star, aluminum, powder coated
- swivel seat - 360°
- aluminium cast
- legs finished with polypropylene feet, colour: black



Base UFP4K:

- 4 - star, aluminum, powder coated
- swivel seat - 360°
- aluminium cast
- castors for soft or hard floors

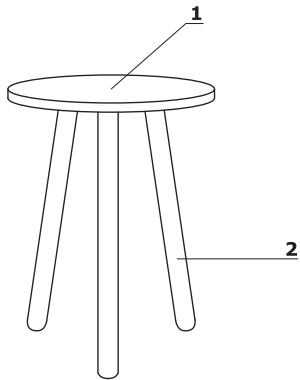


Base UFP5:

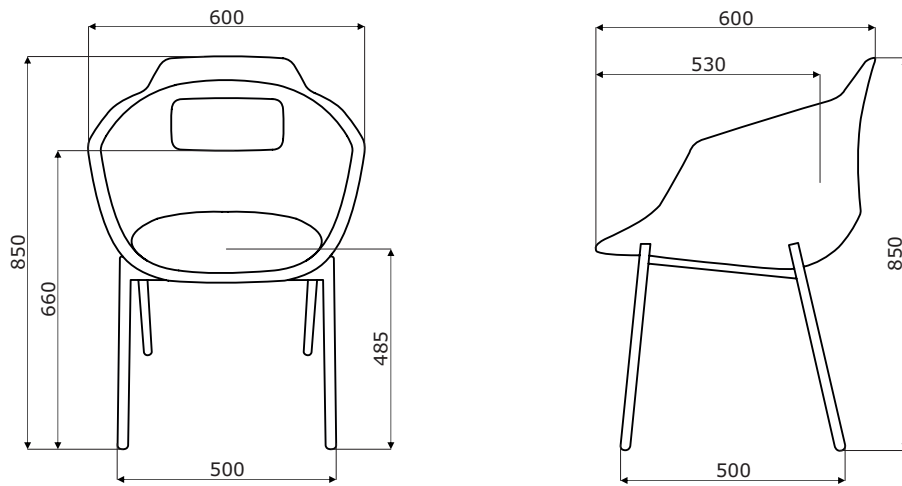
- cantilever, metal, powder coated
- legs made of tube Ø12 mm, CNC - bent
- polypropylene feet, colour: black
- armrest made of pipe (12 mm diameter) with metal cover plates

Technical specification - tables UTR

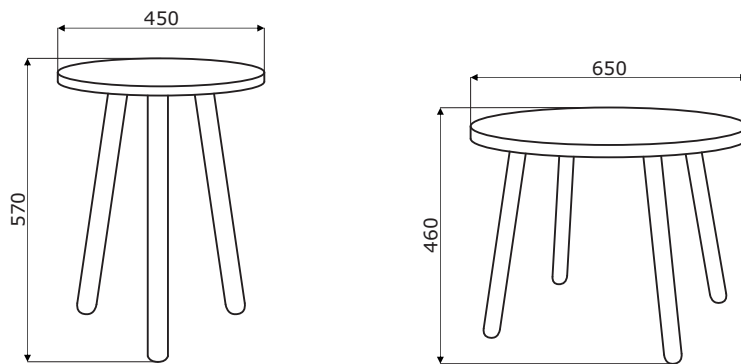
- 1. **Top** - MFC 18 mm, black, ABS edges 2 mm
- 2. **Legs** - Ø45 mm (UTR45) and Ø40 mm (UTR65), natural wood



Dimensions - Ultra F



Dimensions - tables UTR



Ultra F



UFP7K
18 kg



UFP7
18 kg



UFP1
18 kg



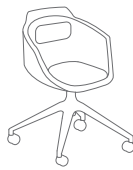
UFP11
18 kg



UFP11K
18 kg



UFP4
18 kg



UFP4K
18 kg



UFP5
18 kg

Tables *



UTR45
450 / 450 / 570
6 kg

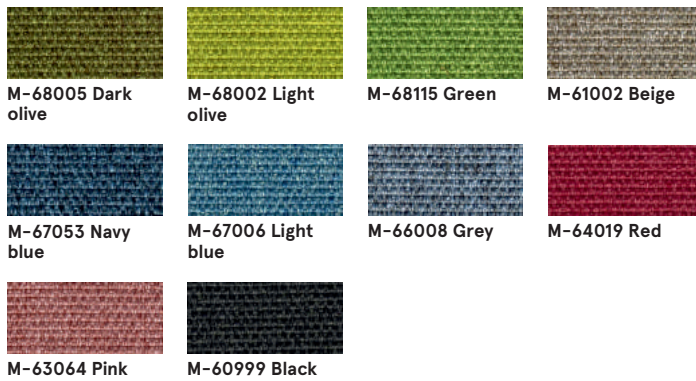


UTR65
650 / 650 / 460
8 kg

* dimensions expressed in millimeters: width x depth x height

| | | | |
|----------------|-----------------------------------|---|-----------------|
| Ultra F | Date of preparation 28.08.2020 | The data contained in this document is valid in the day of its preparation. Change of the product, as long as it does not affect the basic features of it, does not require consistent updates of the document. | page 7/11 |
| | | | products |

Seat - Fabric Medley - second price group



Technical data:

| | |
|---------------------------------------|--|
| Material | polyester 100% |
| Fabric weight | 510 g/lm (16.45 oz./lin.yd.) |
| Abrasion resistance rubs | BS EN ISO 12947-2, 75,000 cykli Martindale |
| Pilling resistance | scale 1-5, max. 5, EN ISO 12945-2 (4) |
| Colour fastness to light | scale 1-8, max. 8, EN ISO 105-B02 (5-7) |
| Colour fastness to rubbing | scale 1-5, max. 5, EN ISO 105x12 (wet/dry (4-5/4-5)) |
| Acoustic test sound absorption | ISO 354 |
| Flammability | BS EN 1021-1 (cigarette) BS 476 Part 7, Class 2 Class Uno UNI 9174 - UNI 8457 CA TB 117-2013 ASTM E 84 Class I |

Seat - Fabric Atlantic * - second price group



Technical data:

| | |
|-----------------------------------|---|
| Material | polyester 100% |
| Fabric weight | 530 g/lm (17.09 oz./lin.yd.) |
| Abrasion resistance rubs | BS EN ISO 12947-2, 110,000 Martindale cycles |
| Pilling resistance | scale 1-5, max. 5, EN ISO 12945-2 (4-5) |
| Colour fastness to light | scale 1-8, max. 8, EN ISO 105-B02 (5-7) |
| Colour fastness to rubbing | scale 1-5, max. 5, EN ISO 105x12 (wet/dry) |
| Flammability | CA TB 117-2013 ASTM E 84 Class I BS EN 1021-2 (match) BS EN 1021-1 (cigarette) |

Seat - Fabric Vita - second price group



Technical data:

| | |
|-------------------------------------|--|
| Material | Surface: 98,5% PVC, 1,5% PU Substrate: 50% poliester, 50% Cotton |
| Fabric weight | 850g/m2 ± 10% (1190G/lin. m ± 10%) |
| Abrasion resistance rubs | BS EN ISO 5470-2, 100,000 Martindale cycles |
| Colour fastness to light | 6 (ISO 105 - B02) |
| Colour fastness to rubbing | wet: 4, dry: 4 (ISO 105 - X12) |
| Flammability | BS EN 1021 - (cigarette) BS EN 1021 - 2 (match) BS 5852 - (Ignition Source 5) BS 7176 - (Medium Hazard) |
| Flexes | BS EN ISO 7854 - Method B, 400.000 Flexing cycles |
| Anti-microblal / Anti-fungal | AATCC 147 |

* There is a possibility of ordering the product in full colour spectrum of Atlantic range, as per Gabriel's pattern book, within 8 weeks

Seat - Fabric River - second price group



Technical data:

| | |
|-----------------------------------|--|
| Material | polyester 100% |
| Fabric weight | 300g/m2 (+/- 5%) |
| Abrasion resistance rubs | 100,000 Martindale cycles (EN ISO 12947-1,2) |
| Pilling resistance | EN ISO 12945-2 (5) |
| Colour fastness to light | 4 (EN ISO 105-B02) |
| Colour fastness to rubbing | dry: 4-5, wet: 3 (EN ISO 105-x12) |
| Flammability | BS 5852: Part 1, Ignition Source 0 (cigarette) BS 5852: Part 1, Ignition Source 1 (match) En1021 - 2 |

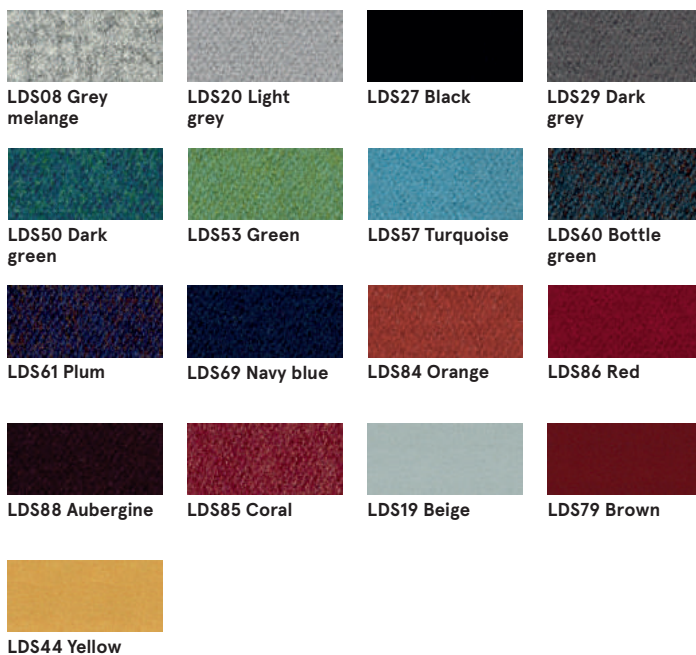
Seat - Fabric Xtreme - third price group



Technical data:

| | |
|-----------------------------------|--|
| Material | 100% Trevira Clame (CS) 100% Recykling (YS) Flame Retardant polyester. Non metallic dyestuffs. |
| Fabric weight | 310 g/m2 ±5% (435g/lin.m ±5%) |
| Abrasion resistance rubs | 60,000 Martindale cycles (CS) 100,000 Martindale cycles (YS) 6 (ISO 105 - B02) |
| Colour fastness to light | wet: 4, dry: 4 (ISO 105 - X12) |
| Colour fastness to rubbing | EN 1021 - 1 (cigarette), EN 1021 - 2 (match) BS 7176 Low Hazard, NF P92-507 M1, DIN 4102 B1, UNI 9175 Class 1 IM, UNI 8456, UNI 9174 & UNI 9177 Classe Uno, ÖNORM B 3825 & A 3800-1 NF D 60-013 |
| Flammability | |

Seat - Fabric Synergy - third price group



Technical data:

| | |
|-----------------------------------|---|
| Material | 95% Virgin Wool, 5% Poliamid |
| Fabric weight | 400g/m2 ±5% (560 g/lin.m ±5%) |
| Abrasion resistance rubs | Independently certified ≥100,000 Martindale cycles |
| Colour fastness to light | 5 (ISO 105 - B02) |
| Colour fastness to rubbing | ISO 105 - X12 - wet: 4, dry: 4 |
| Flammability | EN 1021 - 1 (cigarette), EN 1021 - 2 (match), BS 7176 Low Hazard, UNI 9175 Classe 1 IM, ÖNORM B 3825 & A 3800-1 |

Seat - Fabric Atlas - fourth price group



Technical data:

| | |
|-----------------------------------|--|
| Material | 90% new wool, 10% nylon |
| Fabric weight | 286g/m2, 400g/lm |
| Abrasion resistance rubs | 100,000 cykli Martindale, EN ISO 12947 |
| Colour fastness to light | ISO 105 B02: 6-7 |
| Colour fastness to rubbing | ISO 105-X12:2001, (wet/dry) 4-5/4-5 |
| Flammability | BS EN 1021-2 Match, BS EN 1021-1 Cigarette, BS 5 5852 Crib 5, BS 5852 ignition source 3, BS 5852 Part 1, NF D 60 013, UNI 9175 11M, US Cal. Bull. 117-2013 |

Seat - Fabric Field2 - fourth price group



Technical data:

| | |
|---------------------------------|---|
| Material | 100% Trevira CS |
| Fabric weight | 321g/m2, 450g/lm |
| Abrasion resistance rubs | 100,000 cykli Martindale, EN ISO 12947 |
| Colour fastness to light | ISO 105 B02: 5-7 |
| Flammability | BS EN 1021-2 Match, BS EN 1021-1 Cigarette, BS 5 5852 Crib 5, DIN 4102 B1 FAR 25.853, UNI 9177 classe 1, US Cal. Bull. 117-2013 |

Leather - fourth price group



| | |
|---------------------------------|--|
| Technical data: | |
| Material | Leather type - corrected grain leather Type of finishing - pigmented leather |
| Abrasion resistance rubs | Dry: 500 cycles - min. 4 grey scale Wet: 250 cycles - min. 4 grey scale UNI EN ISO 11640 |
| Colour fastness to light | Light fastness: min. 4 grey scale, UNI ISO 105-802 |
| Flammability | No ignition UNI EN 1021-1-2006 BS EN 1021-1-2006 |

Metal - base - UFP7K, UFP7, UFP1



Castors, base - UFP11, UFP11K



Tables UTR - top



Tables UTR - base - wood





MDD has a leading position among manufacturers of office furniture with many awards that prove quality and continuously increase demand for its products.

The realities of today's market require constant quality improvement at all levels of modern organization. This applies in particular to customer service, marketing, quality of products and also to quality of processes within the company. Partnership relations among employees and with business partners form a base of economic growth and success of the company.

Constant investments in innovative machinery park, optimization of management systems and an expansion of production halls allow to minimize the lead times for the product of the highest quality.

More than twenty years of experience in office furniture industry come with reference from a long list of companies and institutions to show their appreciation for an efficient and comprehensive service.

MDD is highly aware of the environment.

Being located in the forest region with lake by its side, MDD takes the nature seriously and invests constantly in a modern and energy-efficient solutions to preserve the local life. Company puts emphasis on waste segregation and recycling. MDD has been awarded for the exceptional care and involvement in waste disposal. All materials used are environmentally friendly and enjoy a high 95 % rate of being recycled.



General informations:

Warranty:

MDD products - **5 years**.

Electrical components and fabric - **2 years**.

Certificate - MFC:



Prizes and awards:



Certificate - fabric:



Assembly:

the product comes pre-assembled

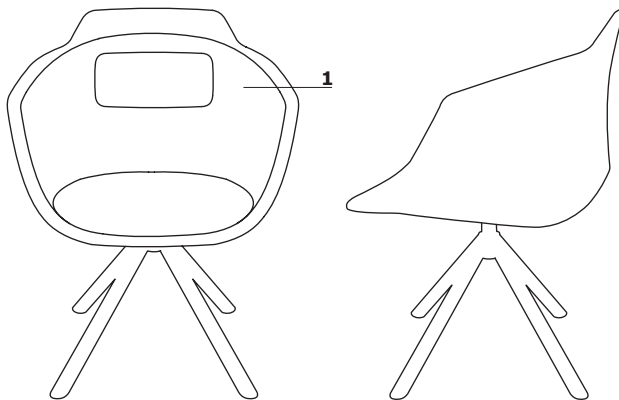
Packing:

cardboard

| | | | |
|----------|-----------------------------------|---|--|
| Ultra FW | Date of preparation 28.08.2020 | The data contained in this document is valid in the day of its preparation. Change of the product, as long as it does not affect the basic features of it, does not require consistent updates of the document. | page 2/10 general informations |
|----------|-----------------------------------|---|--|

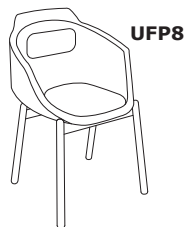
Technical specification

1. Seat - metal frame filled with foam, density of 55 kg/m³, upholstered



- max. load 120 kg

Ultra FW



Base UFP8:

- 4 wooden legs, Ø35 mm
- beechwood coated with transparent varnish
- metal legs - connecting elements, colour: black semi-matt

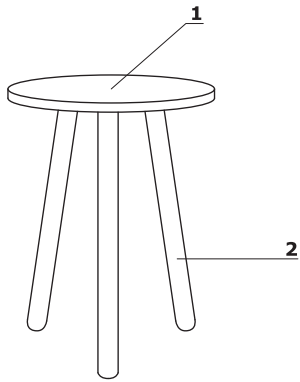


Base UFP9:

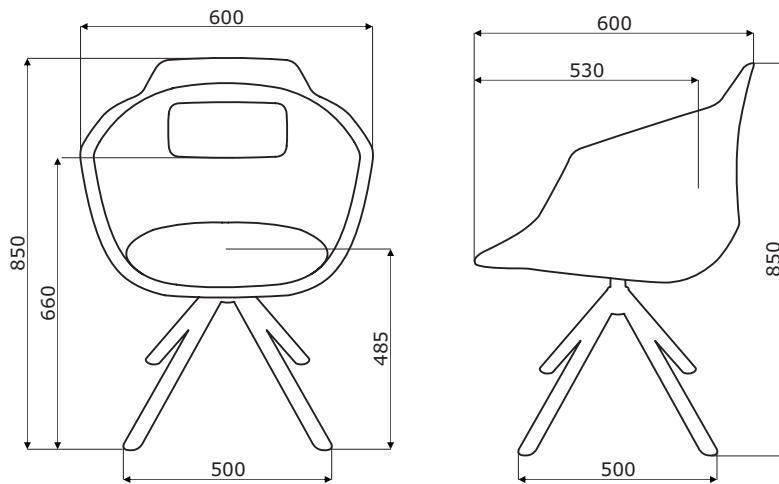
- 4 - star, wooden, Ø35 mm
- beechwood coated with transparent varnish
- swivel seat - 360°
- metal legs - connecting elements, colour: black semi-matt

Technical specification - tables UTR

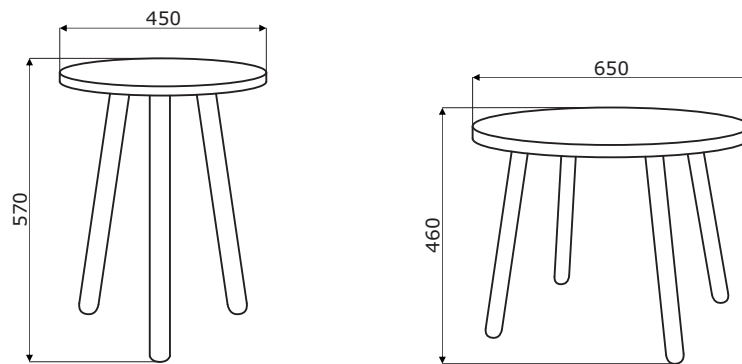
- 1. **Top** - MFC 18 mm, black, ABS edges 2 mm
- 2. **Legs** - Ø45 mm (UTR45) and Ø40 mm (UTR65), natural wood



Dimensions - Ultra FW



Dimensions - tables UTR



Ultra FW *



UFP8
16 kg



UFP9
16 kg

Tables *



UTR45
450 / 450 / 570
6 kg

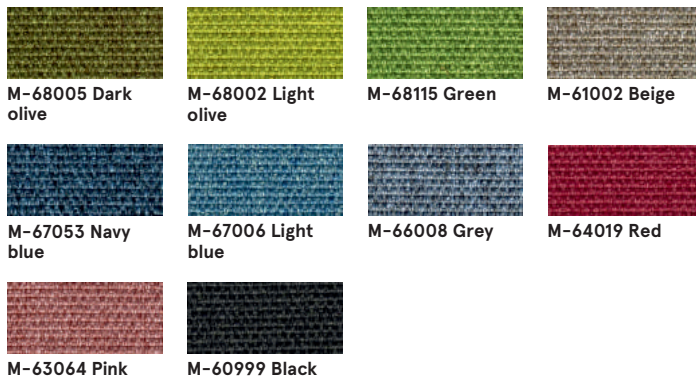


UTR65
650 / 650 / 460
8 kg

* dimensions expressed in millimeters: width x depth x height

| | | | |
|-----------------|-----------------------------------|---|-----------------|
| Ultra FW | Date of preparation 28.08.2020 | The data contained in this document is valid in the day of its preparation. Change of the product, as long as it does not affect the basic features of it, does not require consistent updates of the document. | page 6/10 |
| | | | products |

Seat - Fabric Medley - second price group



| | |
|---------------------------------------|--|
| Technical data: | |
| Material | polyester 100% |
| Fabric weight | 510 g/lm (16.45 oz./lin.yd.) |
| Abrasion resistance rubs | BS EN ISO 12947-2, 75,000 cykli Martindale |
| Pilling resistance | scale 1-5, max. 5, EN ISO 12945-2 (4) |
| Colour fastness to light | scale 1-8, max. 8, EN ISO 105-B02 (5-7) |
| Colour fastness to rubbing | scale 1-5, max. 5, EN ISO 105x12 (wet/dry (4-5/4-5)) |
| Acoustic test sound absorption | ISO 354 |
| Flammability | BS EN 1021-1 (cigarette) BS 476 Part 7, Class 2 Class Uno UNI 9174 - UNI 8457 CA TB 117-2013 ASTM E 84 Class I |

Seat - Fabric Atlantic * - second price group



| | |
|-----------------------------------|---|
| Technical data: | |
| Material | polyester 100% |
| Fabric weight | 530 g/lm (17.09 oz./lin.yd.) |
| Abrasion resistance rubs | BS EN ISO 12947-2, 110,000 Martindale cycles |
| Pilling resistance | scale 1-5, max. 5, EN ISO 12945-2 (4-5) |
| Colour fastness to light | scale 1-8, max. 8, EN ISO 105-B02 (5-7) |
| Colour fastness to rubbing | scale 1-5, max. 5, EN ISO 105x12 (wet/dry) |
| Flammability | CA TB 117-2013 ASTM E 84 Class I BS EN 1021-2 (match) BS EN 1021-1 (cigarette) |

Seat - Fabric Vita - second price group



| | |
|-------------------------------------|--|
| Technical data: | |
| Material | Surface: 98,5% PVC, 1,5% PU Substrate: 50% poliester, 50% Cotton |
| Fabric weight | 850g/m2 ± 10% (1190G/lin. m ± 10%) |
| Abrasion resistance rubs | BS EN ISO 5470-2, 100,000 Martindale cycles |
| Colour fastness to light | 6 (ISO 105 - B02) |
| Colour fastness to rubbing | wet: 4, dry: 4 (ISO 105 - X12) |
| Flammability | BS EN 1021 - (cigarette) BS EN 1021 - 2 (match) BS 5852 - (Ignition Source 5) BS 7176 - (Medium Hazard) |
| Flexes | BS EN ISO 7854 - Method B, 400.000 Flexing cycles |
| Anti-microblal / Anti-fungal | AATCC 147 |

* There is a possibility of ordering the product in full colour spectrum of Atlantic range, as per Gabriel's pattern book, within 8 weeks

Seat - Fabric River - second price group



Technical data:

| | |
|-----------------------------------|--|
| Material | polyester 100% |
| Fabric weight | 300g/m2 (+/- 5%) |
| Abrasion resistance rubs | 100,000 Martindale cycles (EN ISO 12947-1,2) |
| Pilling resistance | EN ISO 12945-2 (5) |
| Colour fastness to light | 4 (EN ISO 105-B02) |
| Colour fastness to rubbing | dry: 4-5, wet: 3 (EN ISO 105-x12) |
| Flammability | BS 5852: Part 1, Ignition Source 0 (cigarette) BS 5852: Part 1, Ignition Source 1 (match) En1021 - 2 |

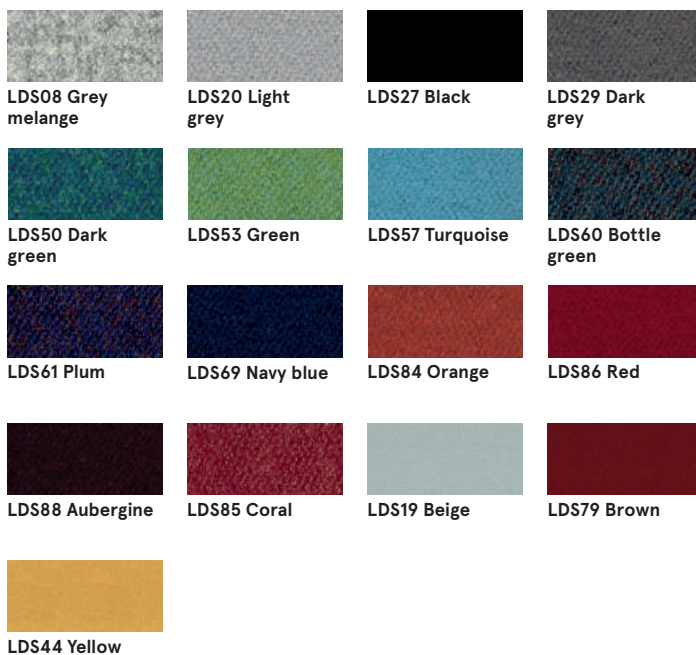
Seat - Fabric Xtreme - third price group



Technical data:

| | |
|-----------------------------------|--|
| Material | 100% Trevira Clame (CS) 100% Recykling (YS) Flame Retardant polyester. Non metallic dyestuffs. |
| Fabric weight | 310 g/m2 ±5% (435g/lin.m ±5%) |
| Abrasion resistance rubs | 60,000 Martindale cycles (CS) 100,000 Martindale cycles (YS) 6 (ISO 105 - B02) |
| Colour fastness to light | wet: 4, dry: 4 (ISO 105 - X12) |
| Colour fastness to rubbing | EN 1021 - 1 (cigarette), EN 1021 - 2 (match) BS 7176 Low Hazard, NF P92-507 M1, DIN 4102 B1, UNI 9175 Class 1 IM, UNI 8456, UNI 9174 & UNI 9177 Classe Uno, ÖNORM B 3825 & A 3800-1 NF D 60-013 |
| Flammability | |

Seat - Fabric Synergy - third price group



Technical data:

| | |
|-----------------------------------|---|
| Material | 95% Virgin Wool, 5% Poliamid |
| Fabric weight | 400g/m2 ±5% (560 g/lin.m ±5%) |
| Abrasion resistance rubs | Independently certified ≥100,000 Martindale cycles |
| Colour fastness to light | 5 (ISO 105 - B02) |
| Colour fastness to rubbing | ISO 105 - X12 - wet: 4, dry: 4 |
| Flammability | EN 1021 - 1 (cigarette), EN 1021 - 2 (match), BS 7176 Low Hazard, UNI 9175 Classe 1 IM, ÖNORM B 3825 & A 3800-1 |

Fabric Silvertex – third price group

There is a possibility of ordering the product in full colour spectrum of Silvertex range, as per Spradling’s pattern book, within 15 working days.

| | |
|------------------------------|--|
| Technical data: | |
| Material | Topcoat: 100% Vinyl Backing: 100% Polyester Hi-Loft™ |
| Fabric weight | 685 gr/m2 |
| Abrasion resistance | >300,000 cycles Martindale |
| UV-resistance | >= 7 (1000 hours, blue wool scale) |
| Cold Crack resistance | -23°C |
| Flame retardancy | NF P 92-503 / M2 EN 1021, Part 1&2 DIN 4102 B2 ÖNORM B 3825, Gruppe I – Schwerbrennbares Verhalten ÖNORM A 3800, Teil I, Qualmbildungsklasse QI – schwachqualmend IMO Res. MSC.307 (88) (2010 FTP Code) Annex I Part 8 (MED) Marine Equipment Directive in its current valid version UNI 9175 (1987) / UNI 9175/FAI (1994) Classe I.IM (uno I EMME) UNE 23.727-90 IR /M2 EN 71-2: 2006+AI: 2007 Safety of Toys – Part 2: Flammability ECE R 118 (replaces Directive 95/28/EC) FMVSS 302 FAR 25/853 |
| Antimicrobial | Antifungal Protection, Antibacterial Protection, Antimycotic Protection |

Seat – Fabric Atlas – fourth price group



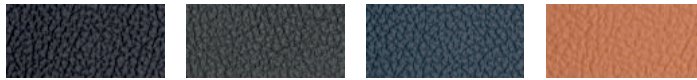
| | |
|-----------------------------------|--|
| Technical data: | |
| Material | 90% new wool, 10% nylon |
| Fabric weight | 286g/m2, 400g/lm |
| Abrasion resistance rubs | 100,000 cyklí Martindale, EN ISO 12947 |
| Colour fastness to light | ISO 105 B02: 6-7 |
| Colour fastness to rubbing | ISO 105-X12:2001, (wet/dry) 4-5/4-5 |
| Flammability | BS EN 1021-2 Match, BS EN 1021-1 Cigarette, BS 5 5852 Crib 5, BS 5852 ignition source 3, BS 5852 Part 1, NF D 60 013, UNI 9175 11M, US Cal. Bull. 117-2013 |

Seat – Fabric Field2 – fourth price group



| | |
|---------------------------------|---|
| Technical data: | |
| Material | 100% Trevira CS |
| Fabric weight | 321g/m2, 450g/lm |
| Abrasion resistance rubs | 100,000 cyklí Martindale, EN ISO 12947 |
| Colour fastness to light | ISO 105 B02: 5-7 |
| Flammability | BS EN 1021-2 Match, BS EN 1021-1 Cigarette, BS 5 5852 Crib 5, DIN 4102 B1 FAR 25.853, UNI 9177 classe 1, US Cal. Bull. 117-2013 |

Leather - fourth price group



L01 Black L02 Dark green L03 Navy blue L04 Light brown



L05 Dark brown L06 Grey L07 Beige

Technical data:

| | |
|---------------------------------|--|
| Material | Leather type - corrected grain leather Type of finishing - pigmented leather |
| Abrasion resistance rubs | Dry: 500 cycles - min. 4 grey scale Wet: 250 cycles - min. 4 grey scale UNI EN ISO 11640 |
| Colour fastness to light | Light fastness: min. 4 grey scale, UNI ISO 105-802 |
| Flammability | No ignition UNI EN 1021-1-2006 BS EN 1021-1-2006 |

Wood - base



Beech Black

Tables UTR - top



14 Beech 26 Aluminum satinato 31 Canadian oak 39 Polar birch



34 Chestnut 64 Cocoa 106 Lowland walnut 154 Anthracite



08 Black 67 White pastel

Tables UTR - base - wood



Beech Black