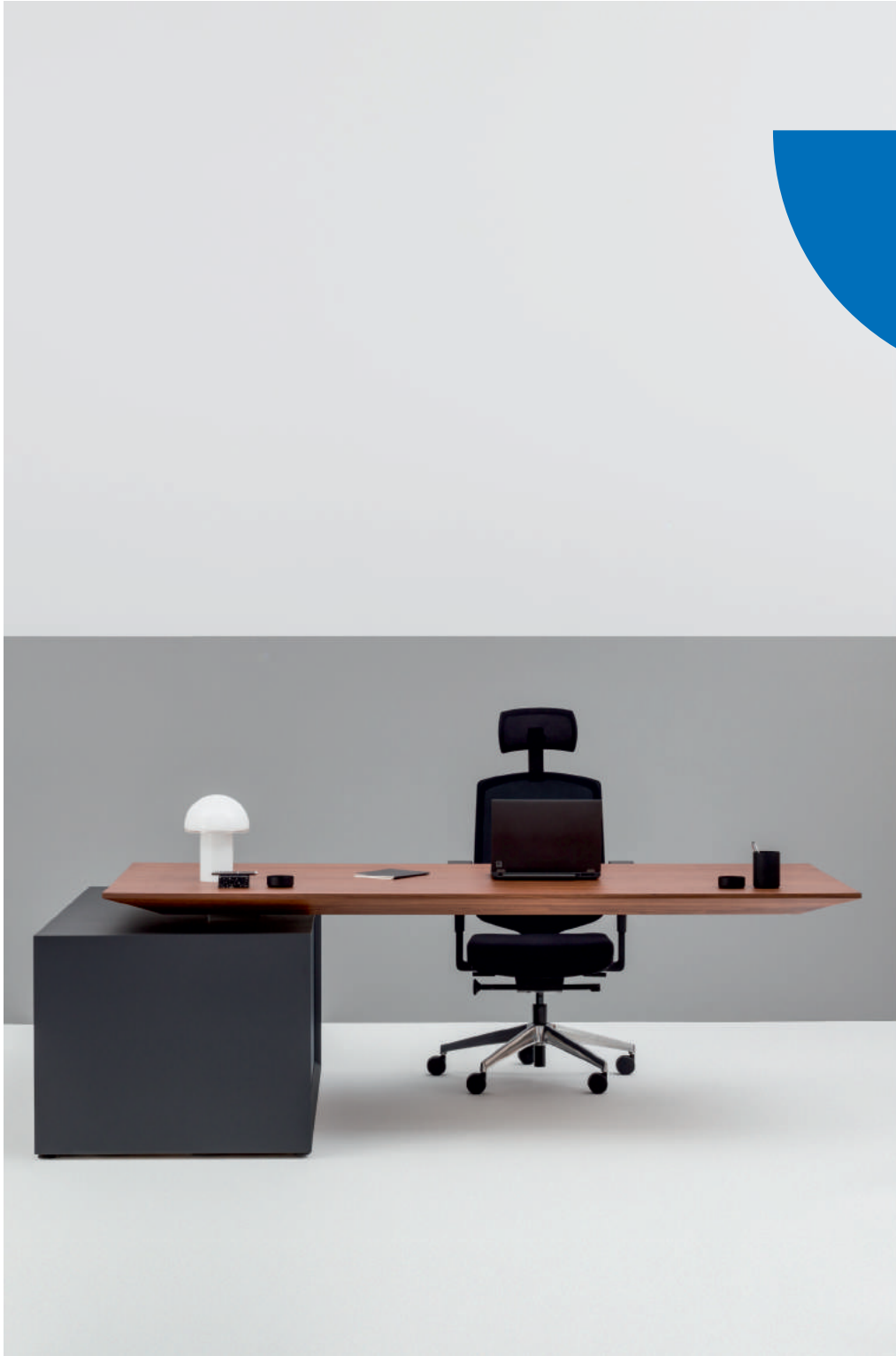


Gravity technical specification



.mdd

MDD has a leading position among manufacturers of office furniture with many awards that prove quality and continuously increase demand for its products.

The realities of today's market require constant quality improvement at all levels of modern organization. This applies in particular to customer service, marketing, quality of products and also to quality of processes within the company.

Partnership relations among employees and with business partners form a base of economic growth and success of the company.

Constant investments in innovative machinery park, optimization of management systems and an expansion of production halls allow to minimize the lead times for the product of the highest quality.

More than twenty years of experience in office furniture industry come with reference from a long list of companies and institutions to show their appreciation for an efficient and comprehensive service.

MDD is highly aware of the environment.

Being located in the forest region with lake by its side, MDD takes the nature seriously and invests constantly in a modern and energy-efficient solutions to preserve the local life. Company puts emphasis on waste segregation and recycling. MDD has been awarded for the exceptional care and involvement in waste disposal. All materials used are environmentally friendly and enjoy a high 95 % rate of being recycled.



General informations:

Warranty:

MDD products – **5 years.**

Electrical components and fabric – **2 years.**

Compliant with standards:

PN-EN 527-2:2017-02

PN-EN 14073-2:2006

Certificate - MFC:



Assembly:

product delivered in separate elements

Packing:

desk, multimedia stand, conference table:

frame + base - on a pallet,

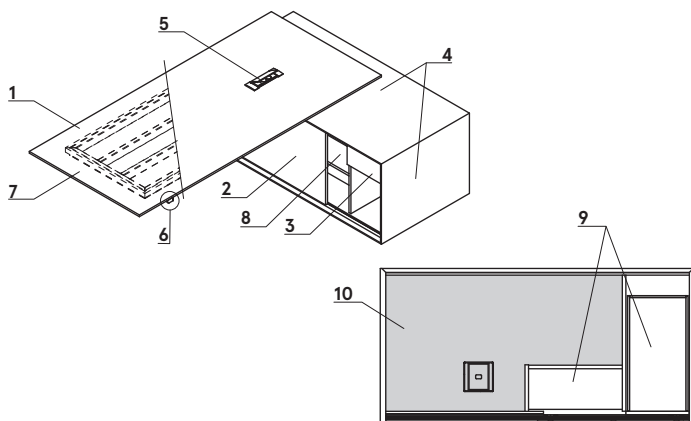
foam wrap;

storage unit, shelving unit, coffee table :

wooden crate

Gravity	Date of preparation 31.08.2020	The data contained in this document is valid in the day of its preparation. Change of the product, as long as it does not affect the basic features of it, does not require consistent updates of the document.	page 2/10 general informations
----------------	-----------------------------------	---	--

Desks



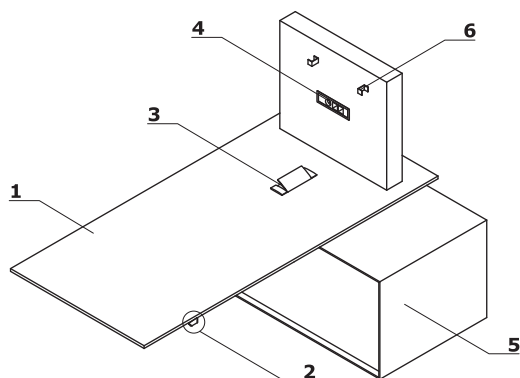
1. **Worktop** - 78 mm thick, veneer/HPL, max. load 70 kg
2. **Sliding front** - MDF, varnished 18 mm
3. **Drawer** - 100% extraction, self-closing, dimensions: 290x500x280 mm
4. **Body** - MDF lacquered 28 mm
5. **Mediabox M06** - OPTION WITH ADDITIONAL CHARGE - 2x 230V + USB charger, colour: anodised aluminium
6. **Control panel**
7. **Electric height adjustable frame** - powder coated steel, column dimension 150x150 mm, frame profile 60x30 mm
8. **Shelf** - MFC 18 mm, dimensions: 457x182x259 mm

Inside the cabinet:

9. **Usable space**
10. **Structure space non - usable** - supporting structure + concrete blocks

ATTENTION: Desk, table and multimedia stand require a hard and unbendable surface with acceptable point pressure of at least 300 kg/point in order to preserve stability.

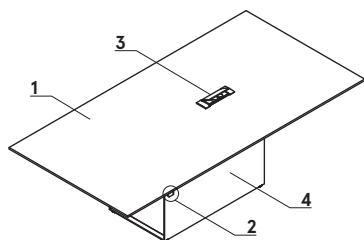
Multimedia stand with electric height adjustment



1. **Worktop** - 78 mm thick, veneer/HPL, max. load 70 kg
2. **Control panel**
3. **MEDIABOX** - 2x 230V + HDMI + USB, colour: anodised aluminium
4. **MEDIABOX** - 1x 230V + HDMI + USB, colour: anodised aluminium
5. **Body** - MDF lacquered 28 mm
6. **Monitor handle** - VESA fixing, possible monitor dimensions 32" - 47"

ATTENTION: Desk, table and multimedia stand require a hard and unbendable surface with acceptable point pressure of at least 300 kg/point in order to preserve stability.

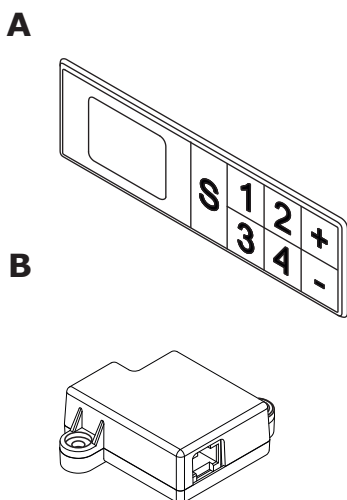
Conference tables with electric height adjustment



1. **Worktop** - 78 mm thick, veneer/HPL, max. load 70 kg
2. **Control panel**
3. **Mediabox M06** - OPTION WITH ADDITIONAL CHARGE - 2x230V + HDMI + USB, colour: anodised aluminium
4. **Body** - MDF lacquered 28 mm

ATTENTION: Desk, table and multimedia stand require a hard and unbendable surface with acceptable point pressure of at least 300 kg/point in order to preserve stability.

Control panel



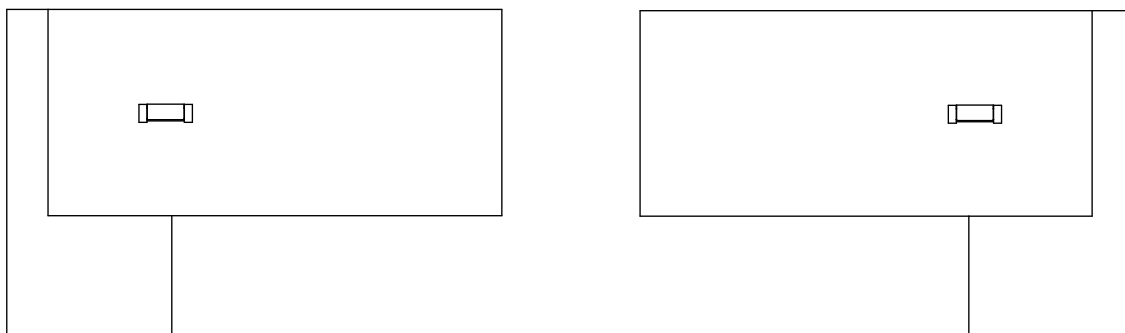
Control panel:

- A - up and down keypad with memory
- B - OPTION FOR AN ADDITIONAL COST to panel A - bluetooth module - control via MDD Desk BT application (downloadable from Google Play or App Store). The app has a time interval function that informs the user about the need of changing body position (from sitting to standing or standing to sitting)

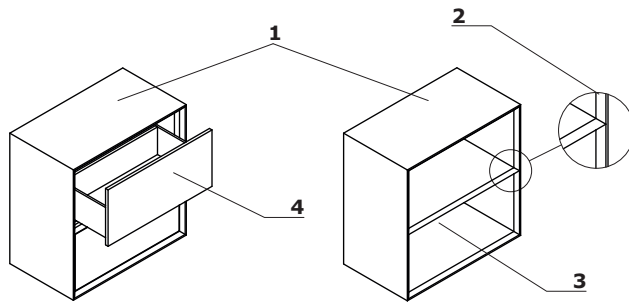
Frame technical specification

- **Height adjustment** - 40 mm/sec Super Soft Start - Stop
- **Drive** - 2 synchronised motors with microprocessor, work control sensor
- **ISP** - Intelligent System Protection
- **Standards** - EN 527-2
- **EU Directives** - 206/95EC, UI508 1999, UL 1004 R7 06, WE DC 2004/108WE
- **Power supply** - 230V, 300W, power consumption on Standby - 0.3W

Mediabox location



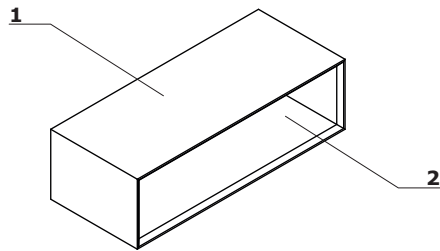
Cabinet and regal



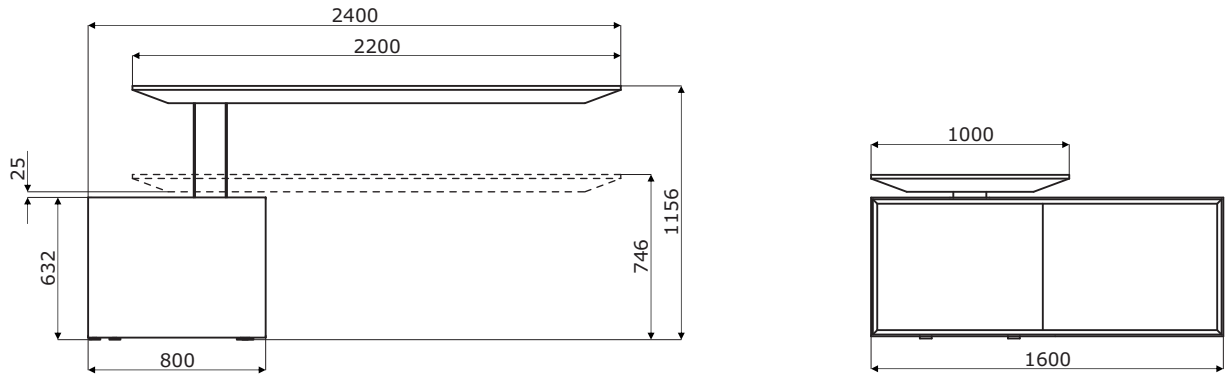
1. Finish - MDF, varnished 38 mm
2. Milled Surface
3. Inside the cabinet - dimensions : 740x350x380 mm
4. Inside the drawer:
 - dimensions: 686x185x350 mm
 - front - MDF, varnished 38 mm
 - interior - MFC 18 mm

Coffee table

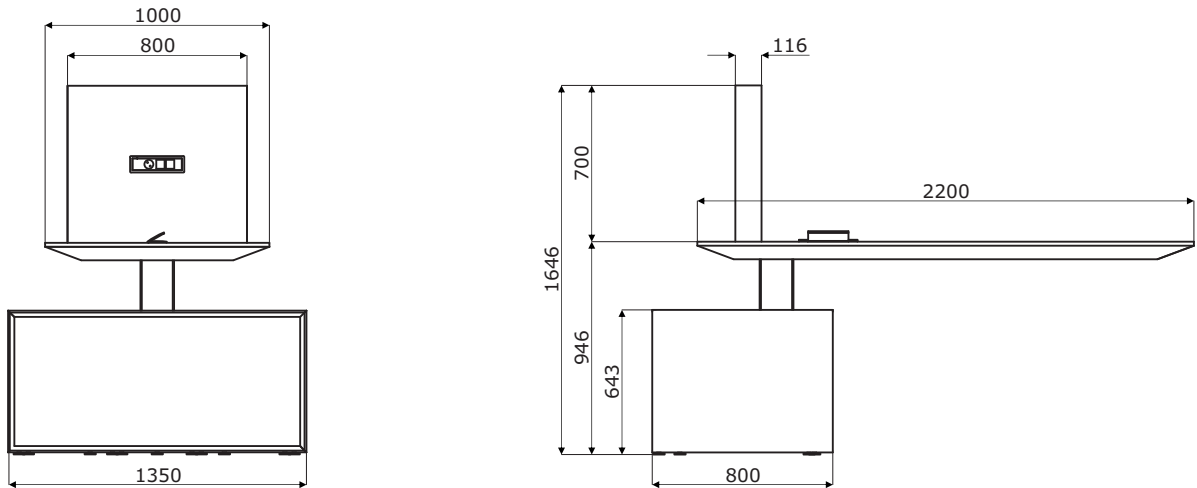
1. Finish - MDF, varnished 38 mm
2. Inside - dimensions of cabinet interior: 1142x292x462 mm



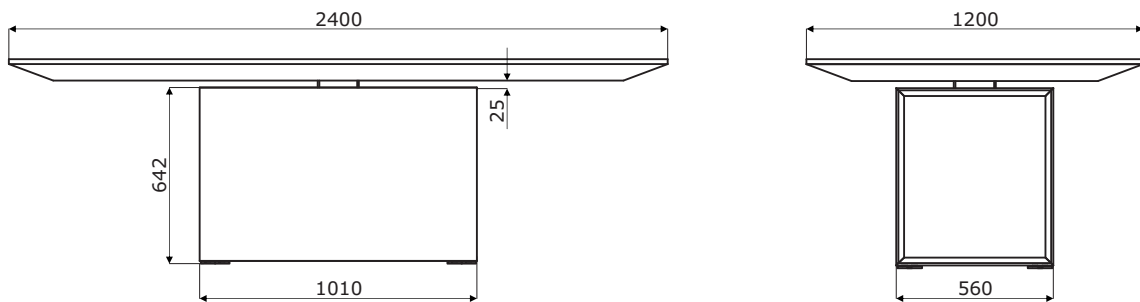
Dimensions - desks



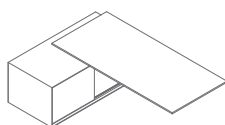
Dimensions - multimedia stand



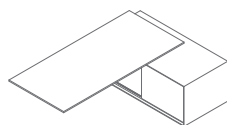
Dimensions - conference tables



Deks with electric height adjustment and managerial storage *

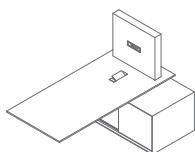


GAV1L
2400 / 1600 / 750-1160
666.1 kg



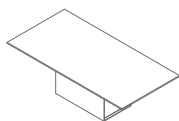
GAV1P
2400 / 1600 / 750-1160
666.1 kg

Multimedia stand with electric height adjustment *



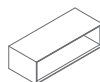
GAV10
2200 / 1100 / 750-1160
656.9 kg

Conference tables with electric height adjustment *



GAV5
2400 / 1200 / 750-1160
434 kg

Table *



GAV6
1200 / 500 / 350
15 kg

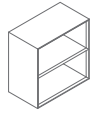
* dimensions expressed in millimeters: width x depth x height

Gravity	Date of preparation 31.08.2020	The data contained in this document is valid in the day of its preparation. Change of the product, as long as it does not affect the basic features of it, does not require consistent updates of the document.	page 7/10
			products

Storages*



GAV15
800 / 450 / 920
30 kg



GAV16
800 / 450 / 920
30 kg

* dimensions expressed in millimeters: width x depth x height

Gravity	Date of preparation 31.08.2020	The data contained in this document is valid in the day of its preparation. Change of the product, as long as it does not affect the basic features of it, does not require consistent updates of the document.	page 8/10
			products

Desk, multimedia stand, conference table

Top



156 Elm **



Body



White



Frame



M015 White
semi-matt RAL9010



157 American
walnut **



Graphite



M154 Anthracite
semi-matt RAL7043



158 Graphite *



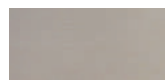
Graphite



M154 Anthracite
semi-matt RAL7043

Shelving unit

Body inside



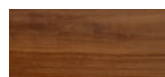
156 Elm **



Body outside



White



157 American
walnut **



Graphite



158 Graphite



Graphite

Storage unit

Body outside, front



156 Elm **



Inside



White



157 American
walnut **



Graphite



158 Graphite



Graphite

* worktop surface covered with FENIX laminate
** veneer

Table

Body outside

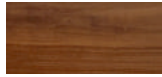
Body inside



156 Elm **



White



157 American
walnut **



Graphite



158 Graphite



Graphite

** veneer