

# Cool technical specification



**MDD has a leading position among manufacturers of office furniture with many awards that prove quality and continuously increase demand for its products.**

The realities of today's market require constant quality improvement at all levels of modern organization. This applies in particular to customer service, marketing, quality of products and also to quality of processes within the company. Partnership relations among employees and with business partners form a base of economic growth and success of the company.

Constant investments in innovative machinery park, optimization of management systems and an expansion of production halls allow to minimize the lead times for the product of the highest quality.

**More than twenty years of experience in office furniture industry come with reference from a long list of companies and institutions to show their appreciation for an efficient and comprehensive service.**

**MDD is highly aware of the environment.**

Being located in the forest region with lake by its side, MDD takes the nature seriously and invests constantly in a modern and energy-efficient solutions to preserve the local life. Company puts emphasis on waste segregation and recycling. MDD has been awarded for the exceptional care and involvement in waste disposal. All materials used are environmentally friendly and enjoy a high 95 % rate of being recycled.



**General informations:**

**Warranty:**

MDD products - **5 years.**

Electrical components and fabric - **2 years.**

**Certificate - fabric:**



**Assembly:**

the product comes pre-assembled

**Packing:**

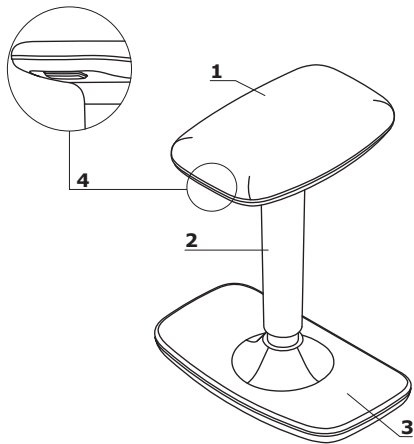
cardboard

Cool	Date of preparation 16.07.2020	The data contained in this document is valid in the day of its preparation. Change of the product, as long as it does not affect the basic features of it, does not require consistent updates of the document.	page 2/6 <b>general informations</b>
------	-----------------------------------	---	---

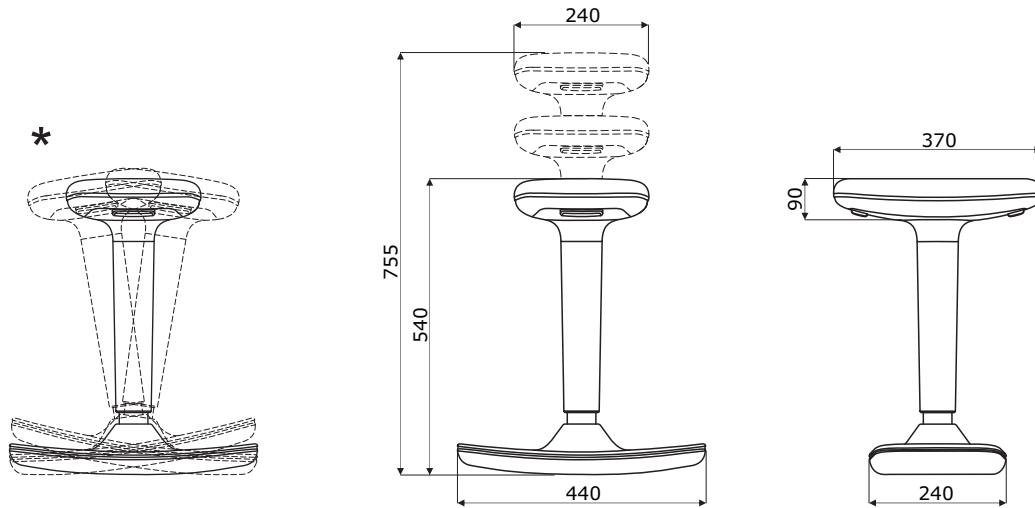
---

## Cool - stool

1. **360° Seat** - polypropylene base, molded foam, density of 65 kg/m.<sup>3</sup>, upholstered
2. **Gas lift** - polypropylene cover
3. **Base** - polypropylene, covered in non-slip rubber
4. **Button** - allowing for height adjustment



## Dimensions



\* wobble (left, right) +/- 20°

Cool	Date of preparation 16.07.2020	The data contained in this document is valid in the day of its preparation. Change of the product, as long as it does not affect the basic features of it, does not require consistent updates of the document.	page 4/6
			dimensions (mm)

---

## Cool



**CL01**

540 / 440 / 240  
8 kg

---

\* dimensions expressed in millimeters: width x depth x height

<b>Cool</b>	Date of preparation 16.07.2020	The data contained in this document is valid in the day of its preparation. Change of the product, as long as it does not affect the basic features of it, does not require consistent updates of the document.	page 5/6
			<b>products</b>

## Seat - fabric Xtreme



XR160  
Aquamarine



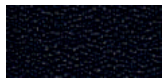
XR430 Dark  
turquoise



XR026 Navy blue



XR084 Violet



XR009 Black



XR420 Olive



XR081 Dark grey



XR094 Grey



XR108 Beige



XR079 Red



YS071 Light  
brown

### Technical data:

**Material** 100% Trevira Clame (CS)  
100% Recykring (YS)  
Flame Retardant polyester.  
Non metallic dyestuffs.

**Fabric weight** 310 g/m<sup>2</sup> ±5% (435g/lin.m ±5%)

**Abrasion resistance rubs** 60,000 Martindale cycles (CS)  
100,000 Martindale cycles (YS)

**Colour fastness to light** 6 (ISO 105 - B02)

**Colour fastness to rubbing** wet: 4, dry: 4 (ISO 105 - X12)

**Flammability** EN 1021 - 1 (cigarette),

EN 1021 - 2 (match)

BS 7176 Low Hazard,

NF P92-507 M1, DIN 4102 B1,

UNI 9175 Class 1 IM, UNI 8456,

UNI 9174 & UNI 9177 Classe Uno,

ÖNORM B 3825 & A 3800-1

NF D 60-013

## Base



Black